

# SB62x36-RI-6TD-SC

inches

62 X 36 SOLID SURFACE ADA ROLL-IN W/6" TRENCH DRAIN SHOWER BASE  
IMI SOLIDCAST™

Exterior Dimensions: 62W x 36D

Note: Base dimensions may vary +/- 1/8"

\* Also available in IMI ProCast™



Material to be stacked on pallets.

## COLOR & TRIM OPTIONS

Standard Color	Code
----------------	------

White	SW
-------	----

Optional Color	Code
----------------	------

Cream	SC
Ivory	SI
Warm White	WW

Additional custom colors available.

## FEATURES

- Solid one-piece construction
- Integral flange
- Pre-leveled, rests on subfloor
- Solid surface construction, contains minimum 60% solid particle aggregate aluminum hydroxide
- 40% acrylic modified polyester resin

## STANDARDS AND RATINGS

- Typical CSI Code: 22 42 23 (Div 22)
- ANSI
- ASTM (Fire Rating)
- MAS Certified Green
- Slip-resistance: SCoF = 0.6+, wet; DCoF = 0.42+
- Breaking strength: 250 lbs. minimum

\*See terms and conditions for details.



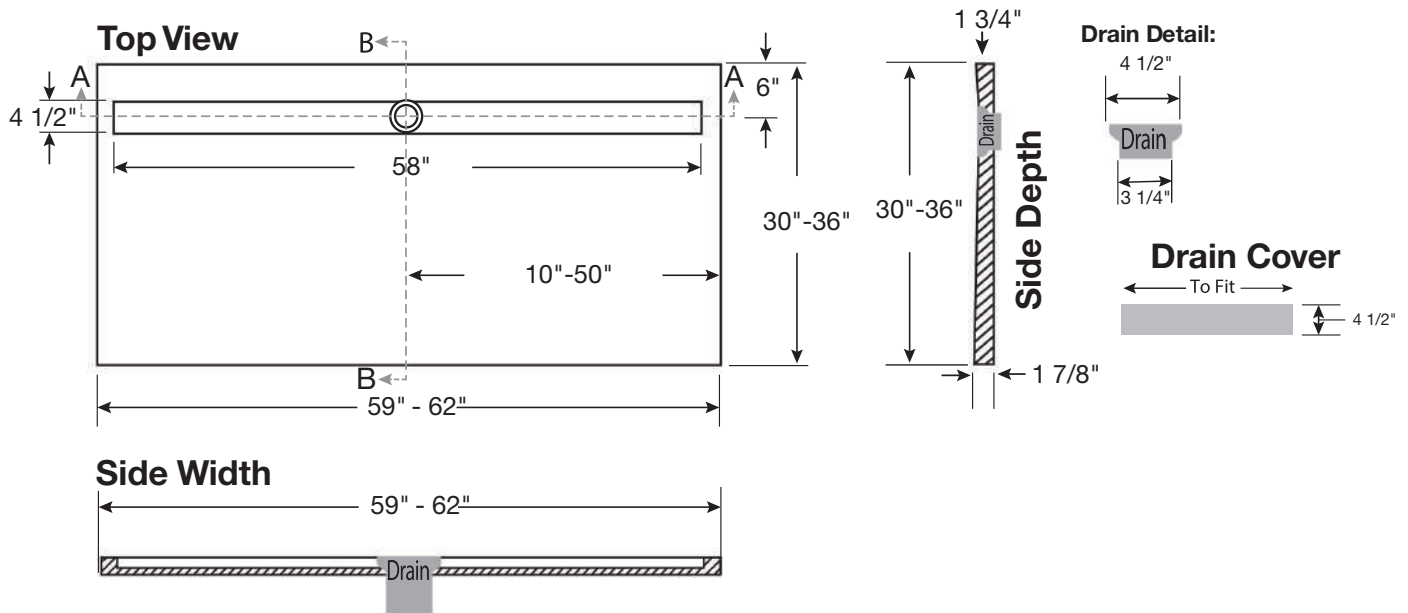
Solid Surface Solutions



# SB62x36-RI-6TD-SC

62 X 36 SOLID SURFACE ADA ROLL-IN W/6" TRENCH DRAIN SHOWER BASE  
IMI SOLIDCAST™

Note: Base dimensions may vary +/- 1/8"





**FEATURES** Dimensional Tolerance  $\pm 1/8"$ . Dimensions needed for site preparation should be measured from the unit. American Bath Group assumes no responsibility for preparatory work.

Type and Model #	Material	Shower Base	Pieces
Shower Base #SB62x36-RI-6TD-SC	Cast Solid Surface	Anti-Slip/Textured Finish	1

## DIMENSIONS

Specifications	inches
Shower Base Depth:	36
Shower Base Width:	62
Threshold Height:	1 3/4

## SUGGESTED DRAINS

Image	Description
	Solvent Weld type fitting similar to Oatey Part No. 42097
	Compression type "No-Caulk" fitting similar to Oatey Part No. 42099