

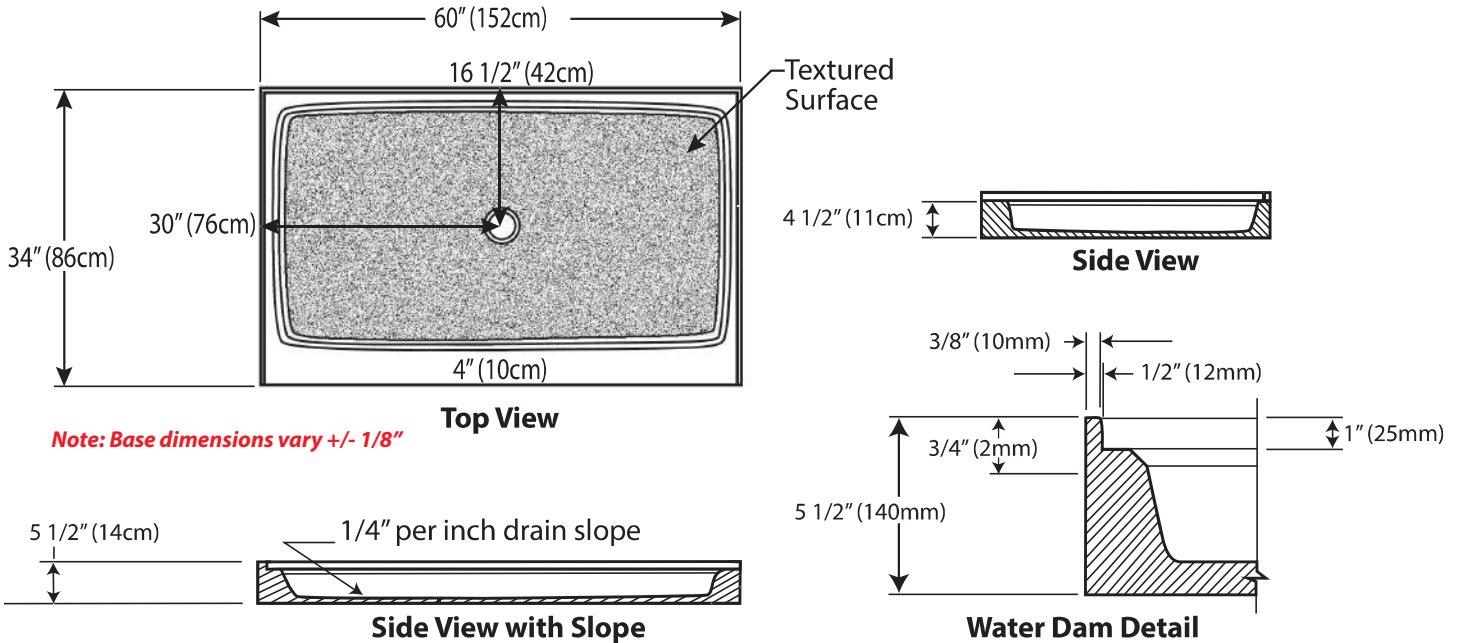


# 60" x 34" Center Drain Shower Base

SB-60x34-SSB

Est. Weight: 151 lbs 68 kg) IMI LiteCast™

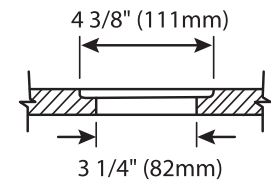
TECHNICAL SPECIFICATIONS



## Standard Features:

- Solid one-piece construction
- Abrasion resistant Gel Coat Surface
- Textured non-slip floor finish
- Seamless
- Center drain
- Center of drain measures 30" (76cm) from side of pan  
17" (43cm) from backwall
- Integral flange
- 3" (8cm) front curb width
- 3 1/2" (9cm) front curb height
- 1" (2.54cm) Integral Flange
- Extremely sanitary
- Will not mold or mildew
- Maintenance free
- Pre-leveled, rest on sub floor
- 10 year limited warranty against manufacturing defects

### Drain Details: (U.S.)



22 42 23 (Div 22)

Revised 2018.06.20

Our products comply with one or more of the following: IAPMO, ANSI, HUD, NAHB, NHQ

© 2018 Copyright IMI International Marble Industries, Inc.

