



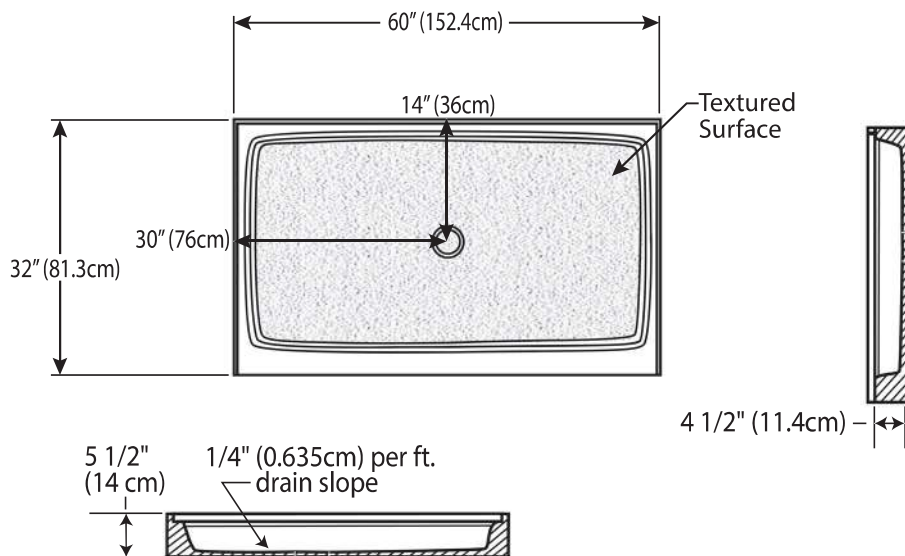
Cast Marble Solutions for Your Showers



60" x 32" Shower Base With Center Drain

SB60x32-SSB-LC

Est. Weight: 107 lbs (48.6 kg) IMI LiteCast™

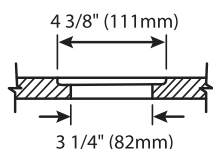


Standard Features:

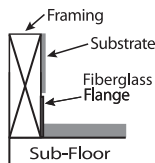
- 4" (10.2cm) Wide threshold
- Solid one-piece construction
- Pre-leveled, rests on subfloor
- Mold and mildew resistant
- Bacteria resistant
- "Grout-free" and non-porous
- Stain resistant and easy to clean
- Waterproof and leakproof

Note: Pan dimensions vary +/- 1/8"

Drain Details: (U.S.)



Flange Details: (U.S.)



Recommended drains that will fit custom shower bases:



Solvent Weld type fitting similar to Oatey Part No. 42097



Compression type "No-Caulk" fitting similar to Oatey Part No. 42099



Our products comply with one or more of the following: IAPMO, ANSI, HUD, NAHB, NHQ

All products made of cultured marble, also known as MasterCast Engineered Composites, Cast Stone, Stone Resin, Resine de Pierre or Marbre de Synthese (French), Mineral Guss (German), Polybeton (Dutch)

Typical CSI Codes: 06 10 00 (06100), 06 20 00 (06200), 12 30 33 (06400) 12 36 61.13 (06610), 22 42 23 (Div 15), 22 00 00 (Div 15)

Revised 2017.09.05

© 2010 Copyright IMI International Marble Industries, Inc.

