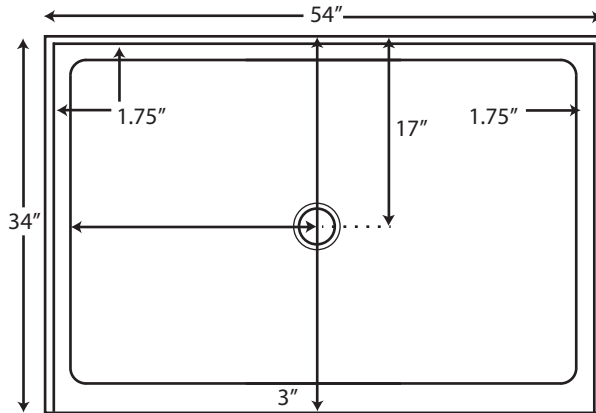




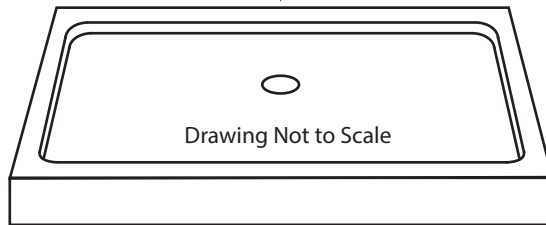
54" x 34" Shower Base w/Center Drain

Est. Weight: 190 lbs (84.37 kg) IMI LiteCast™

TECHNICAL SPECIFICATIONS



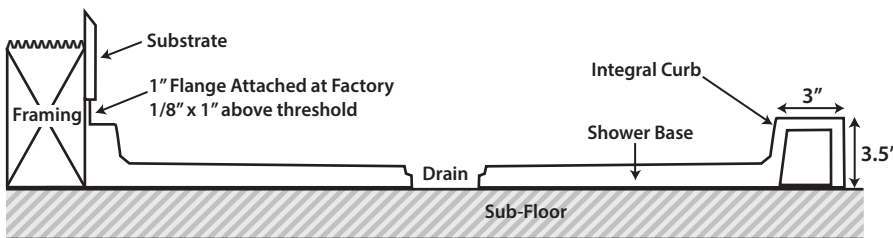
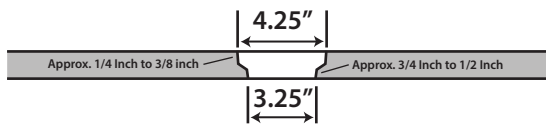
1" Flange Attached at Factory



Drawing Not to Scale

Integral 4" Curb

Drain Detail:



Drain not included. Finished product dimensions may vary +/- 1/8" from drawing.

Specifications:

- Size: 54" x 34"
- Drain: Center
- Drain Opening: 3.25" Hole Width
- Curb: Integral - 3" x 4" High
- Flange: 1" Flange Attached at Factory
- Solid One-Piece Construction
- Pre-Leveled, Rests on Subfloor
- Mold and Mildew Resistant
- Bacteria Resistant
- "Grout-Free" and Non-Porous
- Stain Resistant and Easy to Clean
- Water Proof and Leak Proof

Standards & Ratings:

- ANSI Z124.1.2
- 2005 Tested by NAHB
- ASTM 1028-96
- Coefficient of friction test (minimum rating of .67)

Suggested Drains:

- ANSI Z124.1.2
- 2005 Tested by NAHB
- ASTM 1028-96
- Coefficient of friction test (minimum rating of .67)

NOTE: Pan dimensions may vary +/- 1/8"

Our products comply with one or more of the following: IAPMO, ANSI, HUD, NAHB, NHQ

All products made of cultured marble, also known as MasterCast Engineered Composites, Cast Stone, Stone Resin, Resine de Pierre or Marbre de Synthèse (French), Mineral Guss (German), Polybeton (Dutch)

Typical CSI Codes: 06 10 00 (06100), 06 20 00 (06200), 12 30 33 (06400) 12 36 61.13 (06610), 22 42 23 (Div 15), 22 00 00 (Div 15)

Revised: 2017.12.05
© 2013 Copyright IMI International Marble Industries, Inc.