



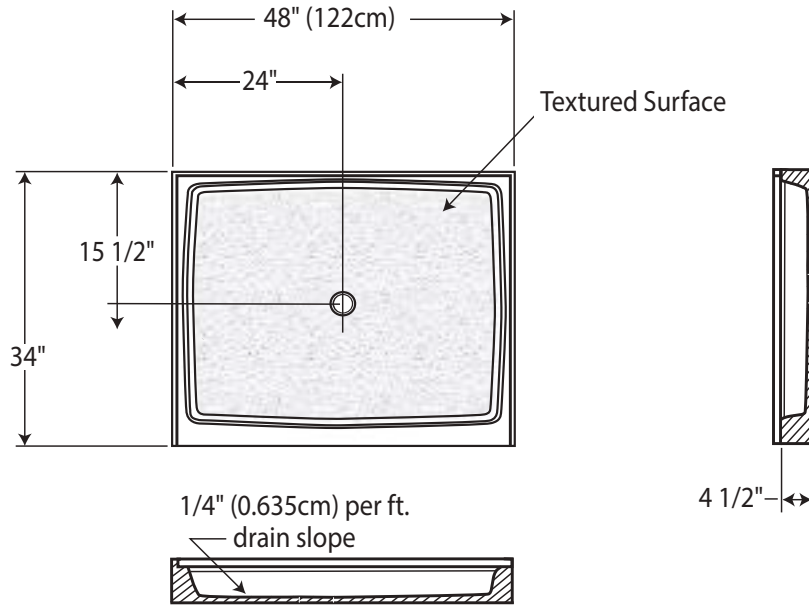
Cast Marble Solutions for Your Showers

48" x 34" Standard Shower Base

SB48x34-SSB-LC

Est. Weight: 85 lbs (44 kg) IMI LiteCast™

TECHNICAL SPECIFICATIONS

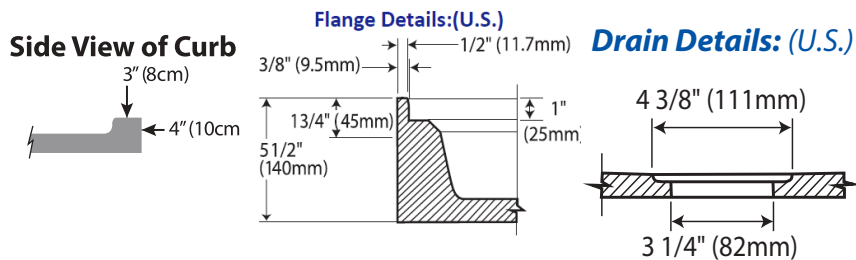


Standard Features:

- 4" (10cm) Wide threshold
- Solid one-piece construction
- Pre-leveled, rests on subfloor
- Mold and mildew resistant
- Bacteria resistant
- "Grout-free" and non-porous
- Stain resistant and easy to clean
- Waterproof and leakproof

Specifications:

- Size: 48" x 34" Size (122cm x 91cm)
- Drain Location: Center of drain measures 24" from backwall



Suggested Drains:

- Solvent Weld type fitting similar to Oatey Part No. 42097
- Compression type "No-Caulk" fitting similar to Oatey Part No. 42099



NOTE: Base dimensions may vary +/- 1/8"

* Also available in IMISolidCast™

Our products comply with one or more of the following: IAPMO, ANSI, HUD, NAHB, NHQ

22 42 23 (Div 22)

Revised: 2019.01.02

© 2019 Copyright IMI International Marble Industries, Inc.