



Cast Marble Solutions for Your Showers

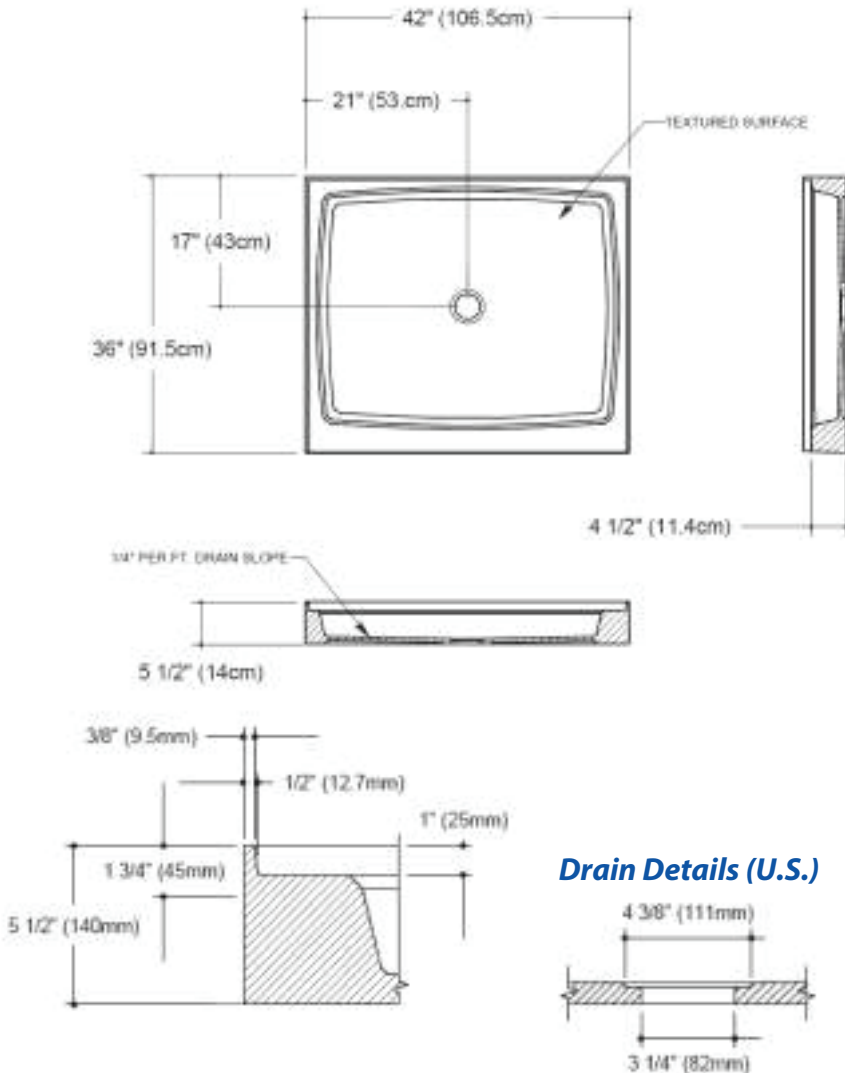


42" x 36" Standard Shower Base

SB42x36-SSB-LC

Est. Weight: 58 lbs (26.3 kg) IMI LiteCast™

TECHNICAL SPECIFICATIONS



Standard Features:

- 4" (10.2 cm) wide threshold
- Solid one-piece construction
- Pre-leveled - rests on subfloor
- Mold and mildew resistant
- Bacteria resistant
- "Grout-free" and non-porous
- Stain resistant and easy to clean
- Waterproof and leakproof
- Integral flange



Recommended drains that will fit custom shower bases:



Solvent Weld type fitting similar to Oatey Part No. 42097



Compression type "No-Caulk" fitting similar to Oatey Part No.42099

Note: Base dimensions vary by +/- 1/8"

* Also available in IMI ProCast™

Our products comply with one or more of the following: IAPMO, ANSI, HUD, NAHB, NHQ

22 42 23 (Div 22)

Revised: 2018.06.20

© 2018 Copyright IMI International Marble Industries, Inc.

