

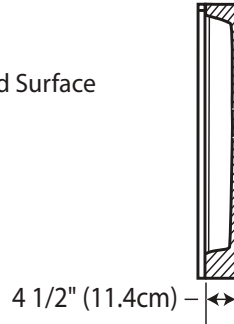
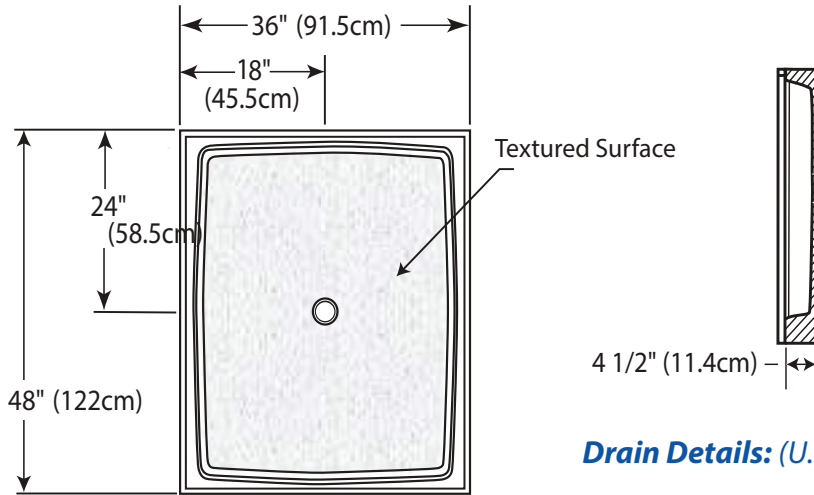


36" x 48" Standard Shower Base

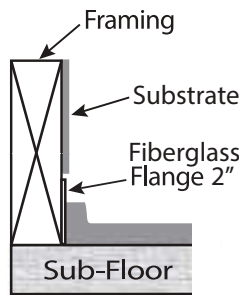
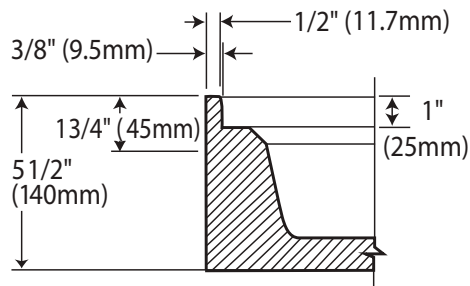
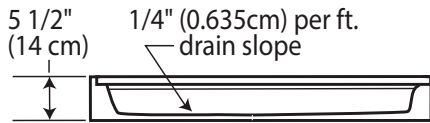
SB36x48-SSB-LC

Est. Weight: 72 lbs (32.7 kg) IMI LiteCast™

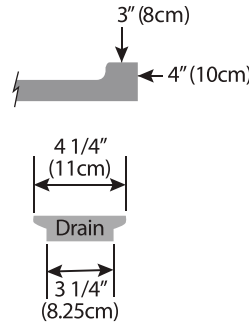
TECHNICAL SPECIFICATIONS



Drain Details: (U.S.)



Side View of Curb



Standard Features:

- 4" (10.2cm) Wide threshold
- Solid one-piece construction
- Pre-leveled, rests on subfloor
- Mold and mildew resistant
- Bacteria resistant
- "Grout-free" and non-porous
- Stain resistant and easy to clean
- Waterproof and leakproof
- Integral flange

Specifications:

- Size: 36 x 48" Size (91cm x 122cm)
- Drain Location: Center of drain measures 24" (61cm) from backwall

Suggested Drains:

- Solvent Weld type fitting similar to Oatey Part No. 42097
- Compression type "No-Caulk" fitting similar to Oatey Part No. 42099



Note: Base dimensions may vary +/- 1/8"

* Also available in IMI ProCast™

Our products comply with one or more of the following: IAPMO, ANSI, HUD, NAHB, NHQ

22 42 23 (Div 22)

Revised: 2018.06.20

© 2018 Copyright IMI International Marble Industries, Inc.

