



Cast Marble Solutions for Your Showers

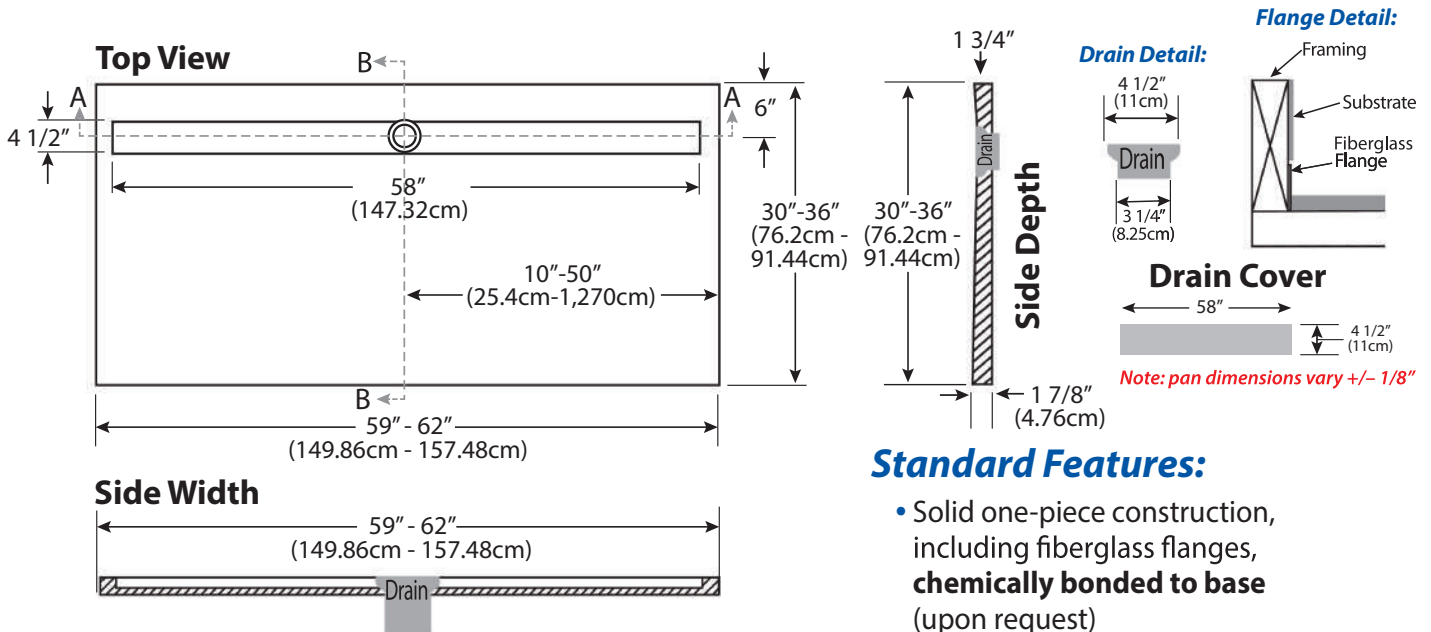


62" x 36" ADA Roll-In w/6" Trench Drain

Est. Weight: 115 lbs (52.2kg) IMI LiteCast™

SB62x36-RI-TD-LC

TECHNICAL SPECIFICATIONS



Standard Features:

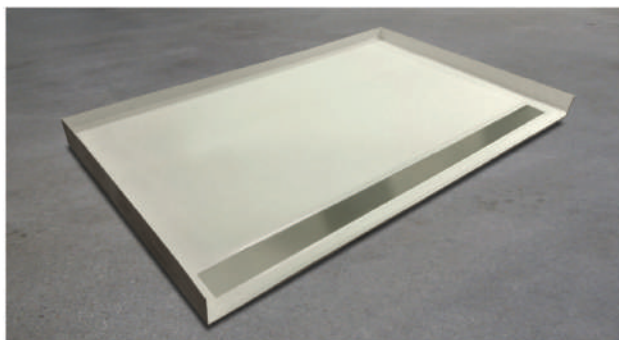
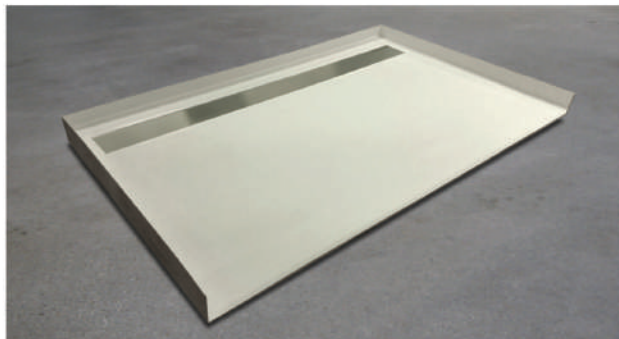
- Solid one-piece construction, including fiberglass flanges, **chemically bonded to base** (upon request)
- Pre-sloped to the drain
- Rests on sub-floor
- Mold, mildew and bacteria resistant
- "Grout-free" and non-porous
- Stain resistant and easy to clean
- Abrasion resistant gel coat surface
- Waterproof and leak-proof

Specifications:

- Size: 59"-62" x 30"-36" Size
- Drain Location: 6" from Back Wall
10"-50" from side wall
- Flange: Fiberglass
- Trench: 4 1/2" width

Suggested Drains:

- Solvent Weld type fitting similar to Oatey Part No. 42097
- Compression type "No-Caulk" fitting similar to Oatey Part No. 42099



Also available: 8" x 72 x 1 1/2" Access Ramp (trim to fit)

Our products comply with one or more of the following: IAPMO, ANSI, HUD, NAHB, NHQ

All products made of cultured marble, also known as MasterCast Engineered Composites, Cast Stone, Stone Resin, Resine de Pierre or Marbre de Synthese (French), Mineral Guss (German), Polybeton (Dutch)

Typical CSI Codes: 06 10 00 (06100), 06 20 00 (06200), 12 30 33 (06400) 12 36 61.13 (06610), 22 42 23 (Div 15), 22 00 00 (Div 15) 16 61 13 (Div 16)

Revised: 2017.09.06

© 2014 Copyright IMI International Marble Industries, Inc.

