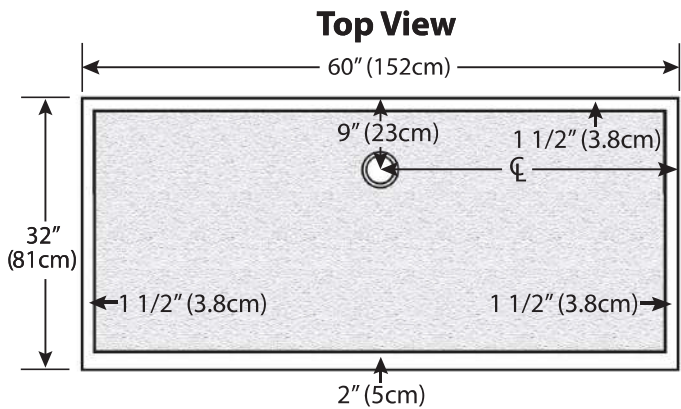


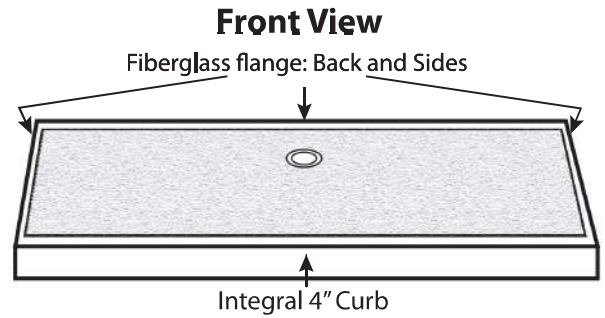
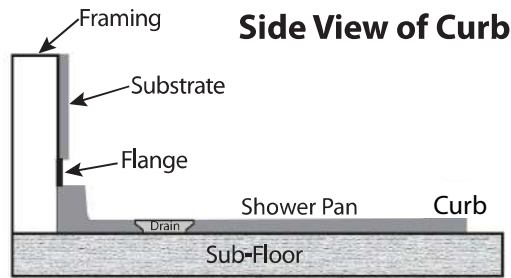
60"x32" Shower Base with Rear Off-Set Center Drain SB60X32-ROSHH-LC

Est. Weight: 132 lbs (59 kg) IMI LiteCast™

TECHNICAL SPECIFICATIONS



Note: Pan dimensions vary +/- 1/8"



Standard Features:

- Solid one-piece construction
- Pre-leveled - rests on subfloor
- Mold and mildew resistant
- Bacteria resistant
- Textured non-slip finish
- Abrasion resistant gel coat surface
- Seamless
- Rear Off-Set Center Drain
- Integral Curbs
- 2" (5cm) front curb width
- 4" (10cm) front curb height

Specifications:

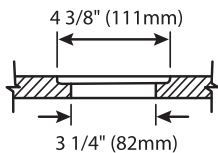
- Size: 60" x 32" Size
- Drain Location: Rear off-set center of drain measures 9" (23cm) from backwall or pan
- Flange: Fiberglass

Suggested Drains:

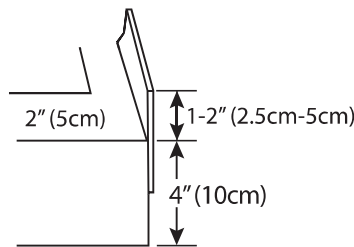
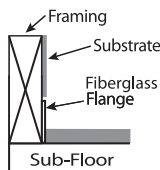
- Solvent Weld type fitting similar to Oatey Part No. 42097
- Compression type "No-Caulk" fitting similar to Oatey Part No. 42099

Note: Drain not included

Drain Details: (U.S.)



Flange Details: (U.S.)



Note: Base dimensions may vary +/- 1/8"

Our products comply with one or more of the following: IAPMO, ANSI, HUD, NAHB, NHQ

22 42 23 (Div 22)

Revised: 2018.06.20

© 2018 Copyright IMI International Marble Industries, Inc.