



60"x 30"-36" Curved Front Shower Base

SB60X30-36-CF-SC

Technical Specifications
CSI Code 22 42 23



Specifications:

- Size: 30"- 36"x 60"
- Drain Location: 8 1/2" from side wall
- Drain Opening: 3 1/4" hole width
- Curb: Integral - 4" h x 3 1/2" w
- Flange: Integral
- Weight: ~ 210 lbs.

Standards and Ratings:

- ANSI Z124.1.2
- Meets IAPMO requirements
- ASTM 1028-06 coefficient of friction test (minimum rating of .67)

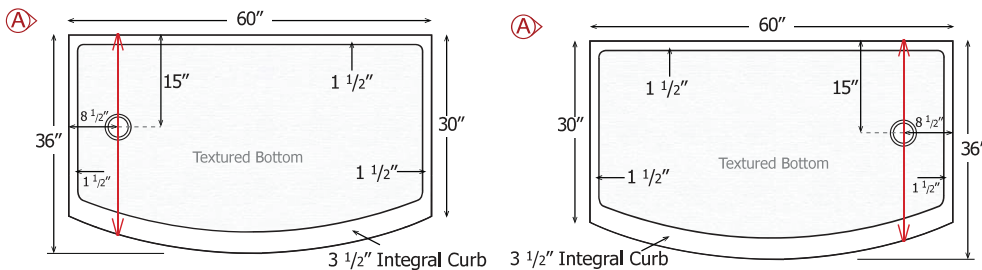
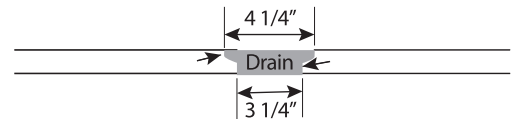
Suggested Drains:

- Solvent Weld type fitting similar to Oatey Part No. 42097
- Compression type "No-Caulk" fitting similar to Oatey Part No. 42099

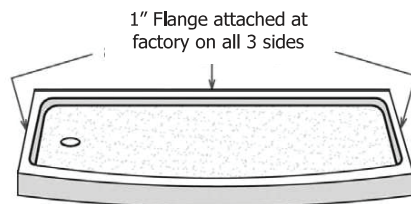
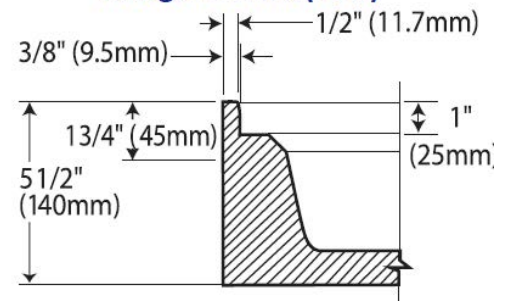
Drain NOT included

Standard Features:

- Solid one-piece construction
- Abrasion resistant gel coat surface
- Extremely sanitary
- Mold or mildew resistant
- Textured non-slip finish
- Pre-leveled - rests on sub floor
- 10 year limited warranty against manufacturing defects



Flange Details:(U.S.)



Integral Curb 4" Tall

Left Hand Drain Shown. Left & Right Hand Drain Available.

Typical CSI Codes: 22 42 23

Note: Base dimensions vary +/- 1/8"

Revised: 2016-03-29

© 2012 Copyright IMI International Marble Industries, Inc.

