



Cast Marble Solutions for Your Showers

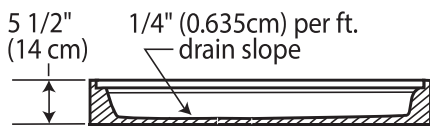
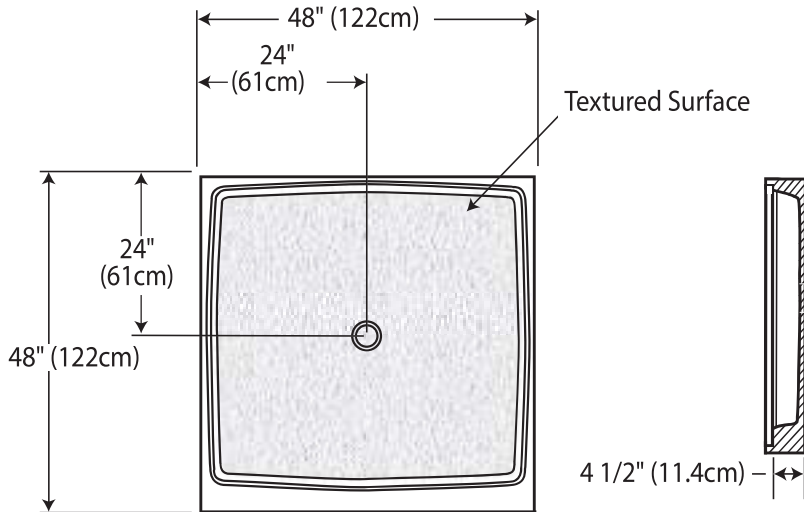


# 48" x 48" Standard Shower Base

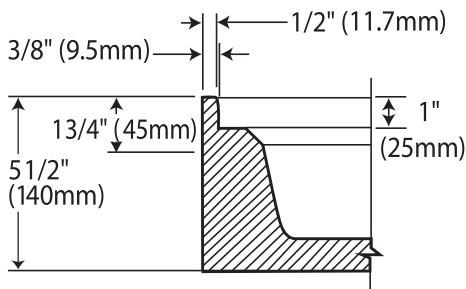
SB48x48-SSB-LC

Est. Weight: 100 lbs (45kg) IMI LiteCast™

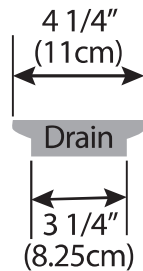
TECHNICAL SPECIFICATIONS



### Flange Details: (U.S.)



### Drain Details: (U.S.)



### Standard Features:

- 4" (10cm) Wide threshold
- Solid one-piece construction
- Pre-leveled, rests on subfloor
- Mold and mildew resistant
- Bacteria resistant
- "Grout-free" and non-porous
- Stain resistant and easy to clean
- Waterproof and leakproof
- Integral flange

### Specifications:

- Size: 48" x 48" Size (122cm x 122cm)
- Drain Location: Center of drain measures 24" (61cm) from backwall

### Suggested Drains:

- Solvent Weld type fitting similar to Oatey Part No. 42097
- Compression type "No-Caulk" fitting similar to Oatey Part No. 42099



Note: Base dimensions may vary +/- 1/8"

\* Also available in IMI ProCast™

Our products comply with one or more of the following: IAPMO, ANSI, HUD, NAHB, NHQ

22 42 23 (Div 22)

Revised: 2018.06.20

© 2018 Copyright IMI International Marble Industries, Inc.



INTERNATIONAL MARBLE INDUSTRIES, INC.

304 Bell Park Drive

Woodstock, GA 30188

770.928.2252

www.IMItoday.com