



Cast Marble Solutions for Your Showers

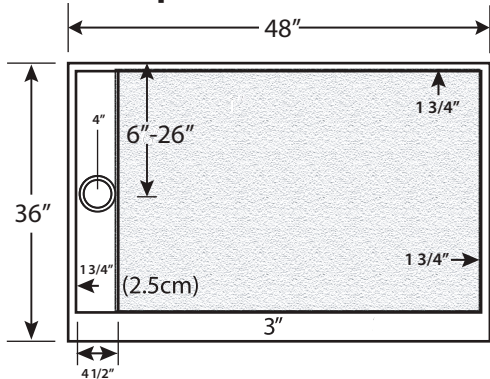


48" x 36" - 4" Trench Drain LH or RH

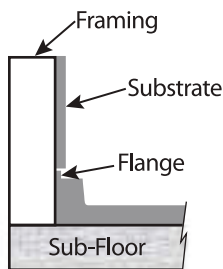
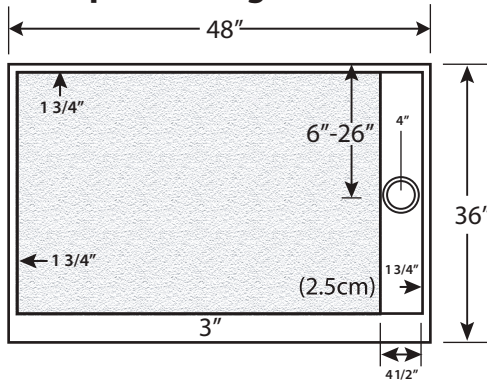
SB48x36-4TD-XH-LC

TECHNICAL SPECIFICATIONS

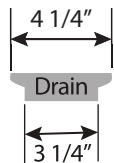
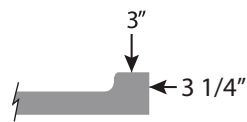
Top View - Left Drain



Top View - Right Drain



Side View of Curb

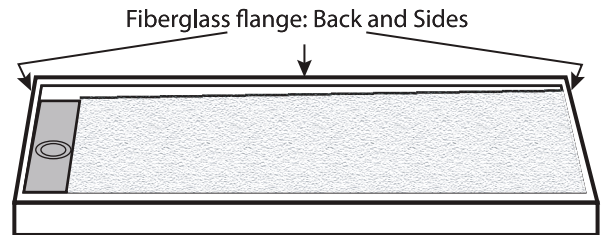


Drain Cover

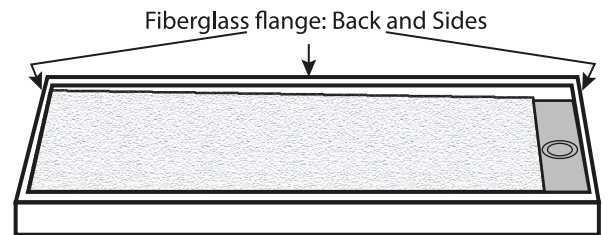


Note: Base dimensions vary +/- 1/8"

Front View - Left Drain



Front View - Right Drain



Standard Features:

- Solid one-piece construction
- Pre-leveled - rests on subfloor
- Mold and mildew resistant
- Bacteria resistant
- Textured non-slip finish
- Abrasion resistant gel coat surface
- Stainless steel trench drain cover

Specifications:

- Size: 48" x 36" Size
- Drain Location: Center of drain measures 4" from side of pan 6"-26" from backwall
- Flange: Fiberglass
- Trench: 4 1/2" width

Suggested Drains:

- Solvent Weld type fitting similar to Oatey Part No. 42097
- Compression type "No-Caulk" fitting similar to Oatey Part No. 42099

* Also available in IMI ProCast™

Our products comply with one or more of the following: IAPMO, ANSI, HUD, NAHB, NHQ

Typical CSI Codes: 22 42 23 (Div 22)

Revised: 2018.07.10

© 2018 Copyright IMI International Marble Industries, Inc.



INTERNATIONAL MARBLE INDUSTRIES, INC.

304 Bell Park Drive

Woodstock, GA 30188

770.928.2252

www.IMItoday.com