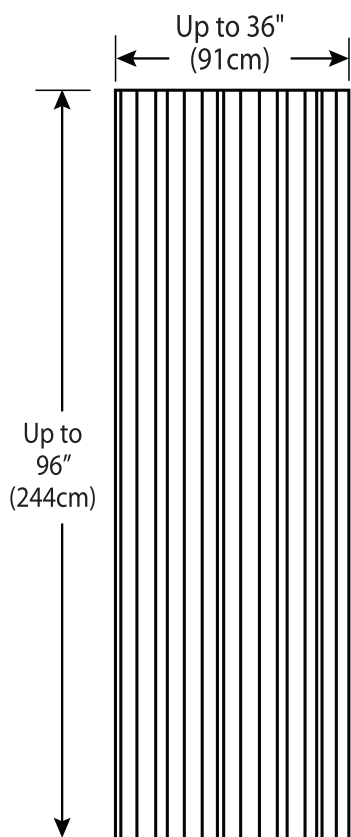


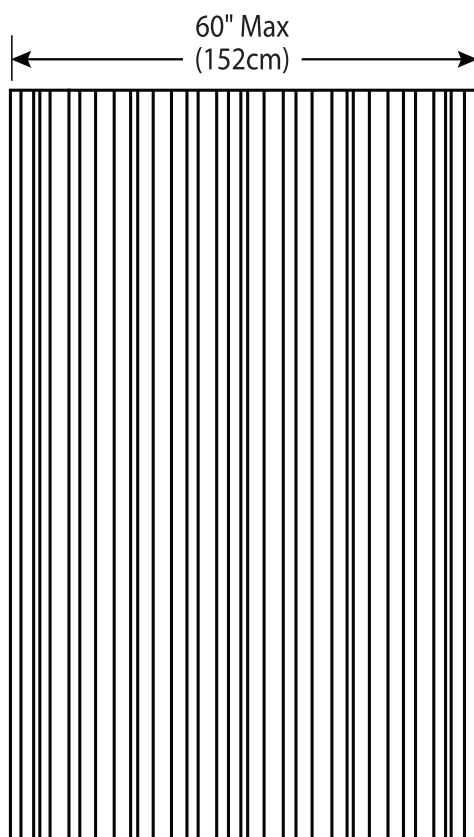


# Vertical Textured

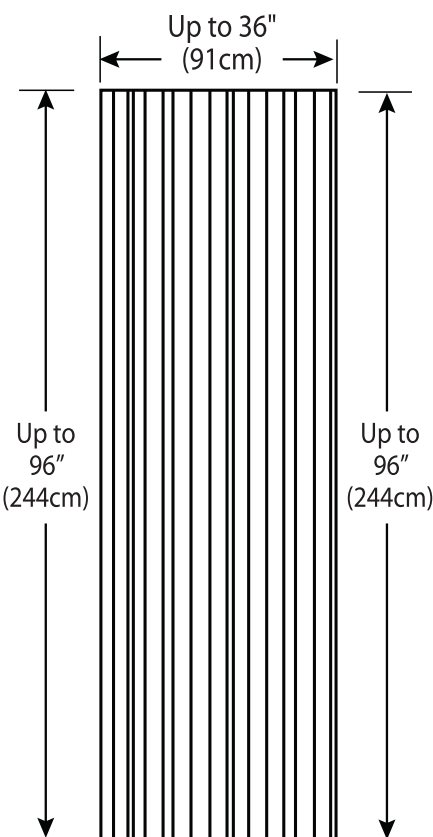
Wall Surrounds  
Technical Specifications



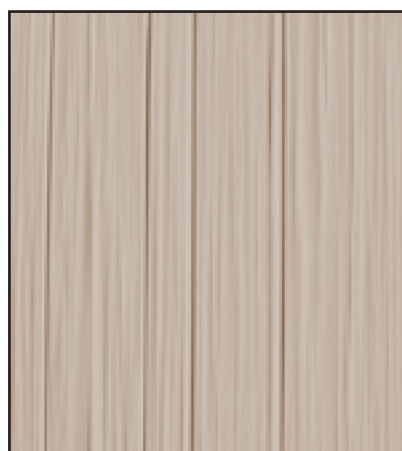
Left Wall



Back Wall



Right Wall



### Standard Features:

- Up to 96" (244cm) Max height
- Back Wall: 60" (152cm) Max width
- Side Walls: Up to 36" (91cm) Max width
- 5/16" (0.8cm) Nominal thickness
- Matte finish

**Minimum Order Quantities Apply**

### Optional Accessories:

- 2" x up to 120" x 3/4" Trim Strips (5cm x 305cm x 2cm)
- Soap Dishes
- Shampoo Shelves
- Foot Rests
- Additional Accessories available upon request (minimum quantities apply).

\* Color Charts and additional patterns available upon request.

Our products comply with one or more of the following: IAPMO, ANSI, HUD, NAHB, NHQ

Typical CSI Codes: 06 61 13 (Div 06)

Revised: 2018.12.10

© 2018 Copyright IMI International Marble Industries, Inc.

