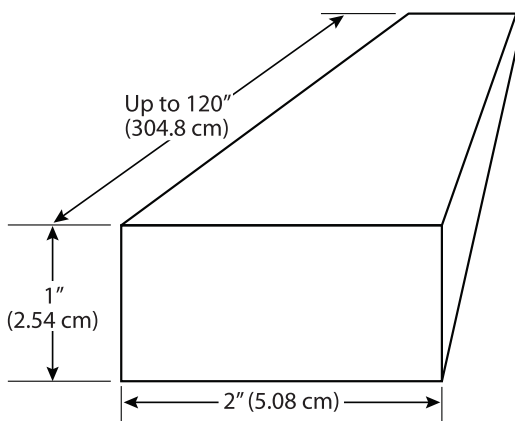
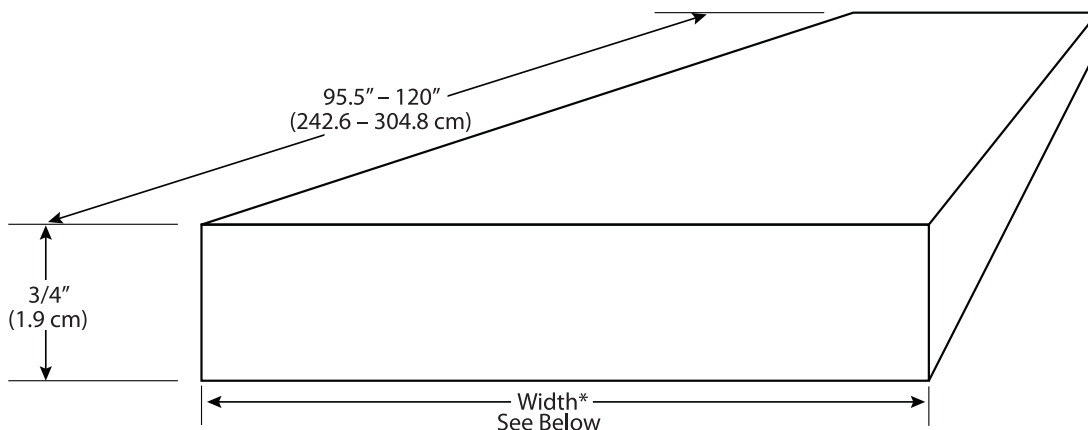


3/4" Flat Trim and 1" Flat Trim

Trim

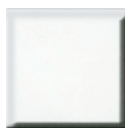
TECHNICAL SPECIFICATIONS
CSI Division 06600; 06610



3/4" Flat Trim Standard Features:

- 3/4" (1.9 cm) Thick
- Up to 95.5"-120" (242.6-304.8 cm) Length
- The following are Standard Widths*
 - 2" (5.1 cm)
 - 4" (10.2 cm)
 - 6" (15.2 cm)
 - 7" (17.8 cm)
 - 8" (20.3 cm)
 - 9" (22.9 cm)
 - 10" (25.4 cm)
- Custom sizes are also available

Colors Available:*



Solid White



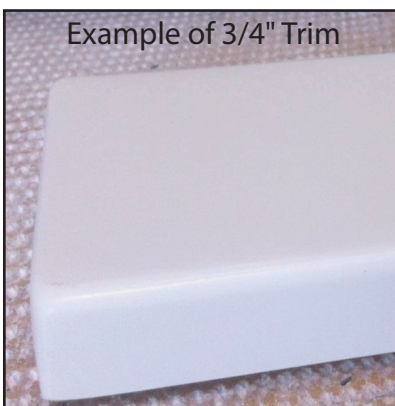
Solid Biscuit



Solid Almond

Color samples are representative only.
Actual colors may vary. Please visit
www.imitoday.com or call us for an
accurate color chip.

* Other color options available.



1" Flat Trim Standard Features:

- 1" (2.54 cm) Thick
- Up to 120" (304.8 cm) Length
- 2" (5.08 cm) Width

Our products comply with one or more of the following: IAPMO, ANSI, HUD, NAHB, NHQ

All products made of cultured marble, also known as MasterCast
Engineered Composites, Cast Stone, Stone Resin, Resine de Pierre or
Marbre de Synthèse (French), Mineral Guss (German), Polybeton (Dutch)

Revised: 2014.8.6

© 2012 Copyright IMI International Marble Industries, Inc.