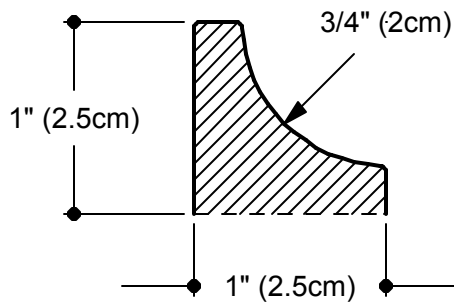
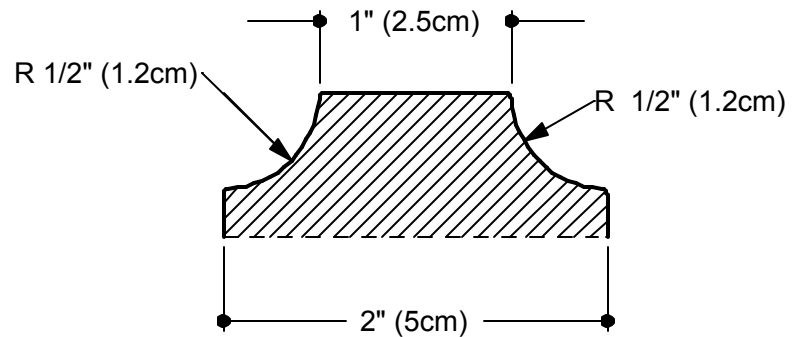


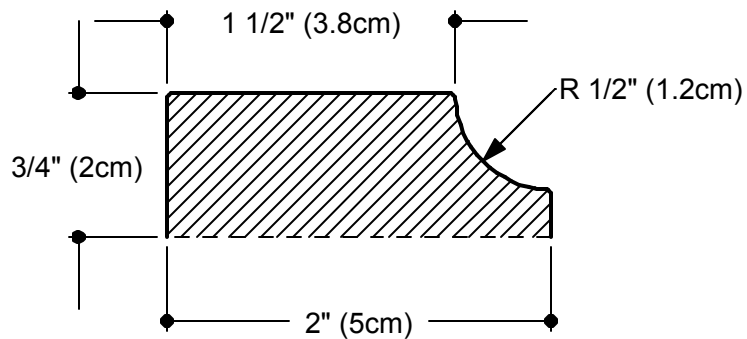
Trim A Inside Corner



TRIM A



TRIM B



TRIM C

NOTE: THE BOLD OUTLINE SHOWN INDICATES FINISHED CAST SURFACE