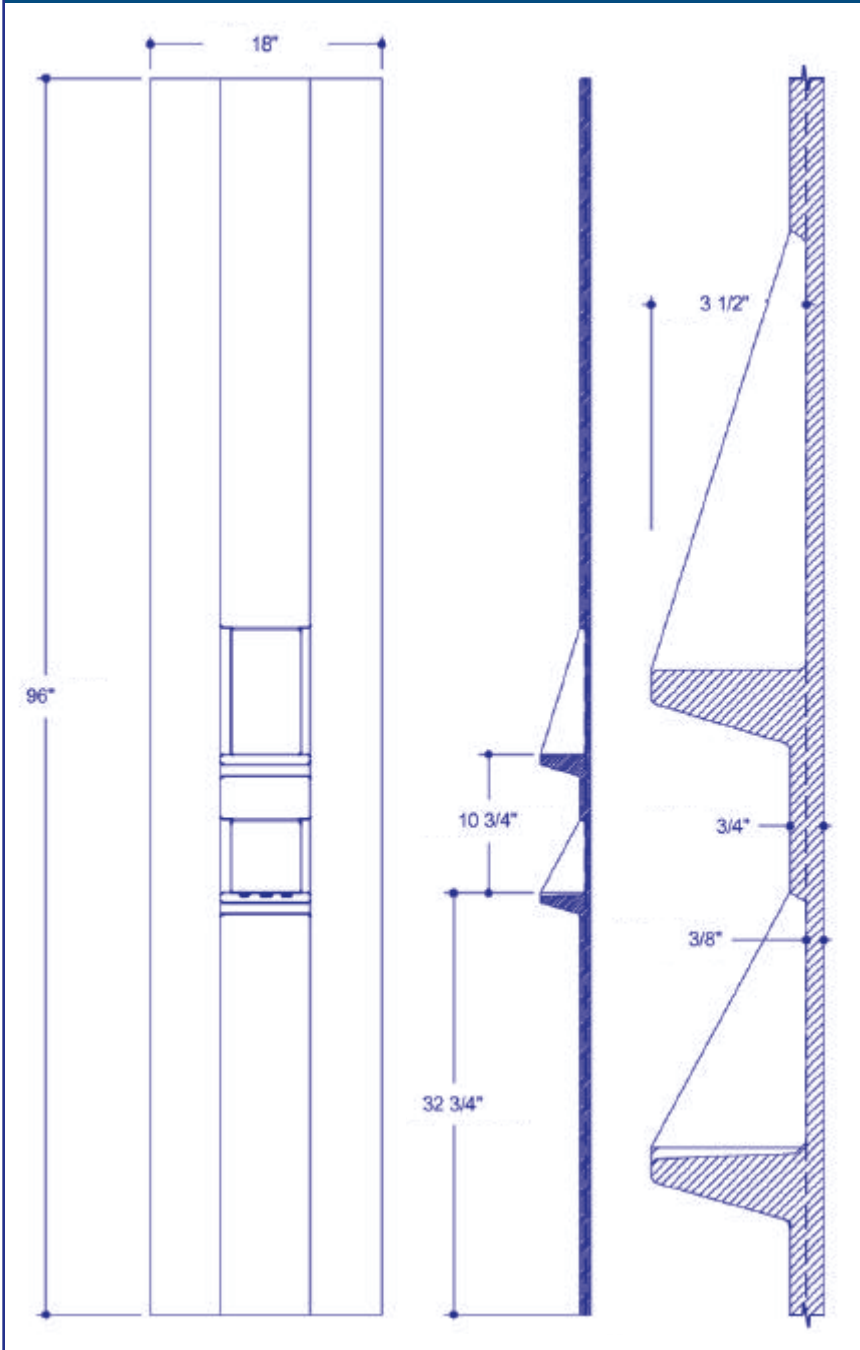
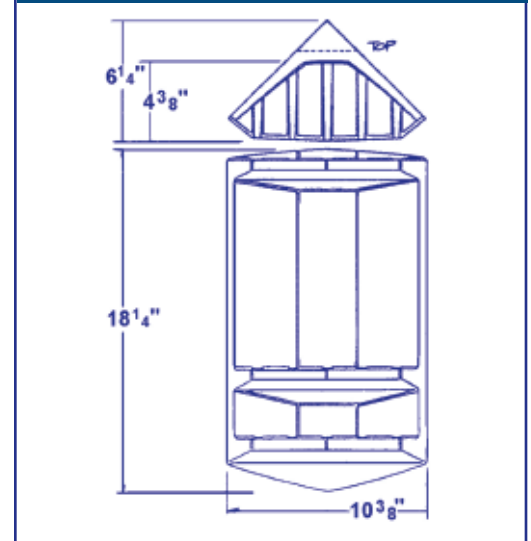


Accessories - Soap & Shampoo Holders

OVERLAP ACCESSORY PANEL WITH INTEGRAL SOAP/SHAMPOO HOLDER



EXTRA LARGE SURFACE MOUNT CORNER SOAP & SHAMPOO HOLDER



LARGE SURFACE MOUNT CORNER SOAP DISH & SHAMPOO HOLDER

