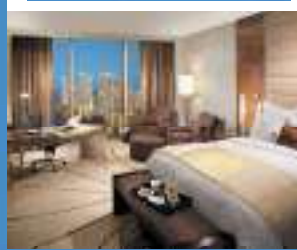




INTERNATIONAL MARBLE INDUSTRIES, INC.

Hospitality



Version 20.0

Cultured Marble Shower Bases

(Standard, Custom, Roll-In and ADA)

Senior Living



Multi Family Housing



Resorts



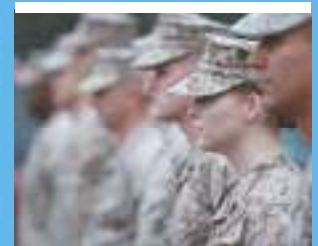
Higher Education



Healthcare



Military Housing



- Tub Surrounds
- Shower Surrounds
- Shower Bases
- Vanity Tops
- Window Sills
- Accessories
... and much more!



Recent Projects

Cultured Marble Products We Supply:

- Tub and Shower Surrounds
- Shower Bases - both Standard and Custom Sizes and Shapes
- Vanity Tops - both Standard and Custom Sizes and Shapes
- Window Sills and Cultured Marble Accessories

Hospitality	# Units	Type
Alligator Bayou, Orlando, FL	1000	TS
Best Western, Oakwood, GA	100	TS
Carribean Resort, Orlando, FL	1780	TS, SS, A
Cypress Bayou Casino Hotel, LA	92	SB, SS
Cobb Galleria Inn, Smyrna, GA	139	TS, SS
Courtyard, Columbus, OH	Multi	TS, SS
Courtyard, Oxford, MS	124	TS, SS, A
Courtyard, San Francisco, CA	187	TS, SS, A
Crowne Plaza, Orlando, FL	245	TS, SS
Dunes Manor, Ocean City, MD	100	TS
Fairfield Inn, Albany, NY	99	TS, SS
Fairfield Inn, Alcoa, TN	89	TS, SS
Fairfield Inn, Gastonia, NC	90	TS,SS, A
Fairfield Inn, Greenville, SC	94	TS,SS, A
Fairfield Inn, Chincoteague, VA	92	TS,SS
Fairfield Inn, Lynchburg, VA	129	TS,SS, A
FairField Inn and Suites, Alcoa, TN	82	TS, SS,
FairField Inn and Suites, Altmore, AL	83	TS, SS, A
FairField Inn and Suites, Austin, TX	134	TS, SS, A
Four Seasons, Denver, CO	125	O
French Quarters, Orlando, FL	1000	TS
Grand Hyatt, Hyderabad, India	100	O
Hampton Inn, Baltimore MD	135	TS, SS
Hampton Inn, Cortez, CO	74	TS, SS, A
Hampton Inn, Hixton, TN	59	TS, SS, A
Hampton Inn, Johnson City, NY	71	TS
Hampton Inn, Uniontown, PA	86	TS, SS, A
Hilton Garden Inn, Arlington, TX	138	TS, SS
Hilton Garden Inn, Baltimore, MD	145	TS, SS
Hilton Garden Inn, Golden, CO	101	TS, SS, A
Holiday Inn Express, Salem, OH	71	TS, SS, A
Holiday Inn Express, Lexington, KY	82	TS, SS, A
Holiday Inn Express, Alexandria, VA	120	TS
Indigo Hotel, New Orleans, LA	132	TS, WS
La Quinta, Monohans, TX	78	TS, SS, A
Magnolia Bend, Orlando, FL	1000	TS
Residence Inn, Austin, TX	95	TS, SS, A
Residence Inn, Lake Charles, LA	72	TS, SS, A
Residence Inn, San Antonio, TX	112	TS, SS

IMI's Industry Focus for Renovation and New Construction Projects:

- Hospitality
- Student Housing
- Multi-Family
- Senior Living
- Resorts
- Military Housing

Hospitality Continued	# Units	Type
Sheraton Denver, CO	120	TS
Sheraton Four Points, LAX	220	TS
Sheraton Orlando, FL	500	TS
Spring Hill Suites, Austin, TX	152	TS, SS, A
Spring Hill Suites, Houston, TX	187	SB, SS, A
Spring Hill Suites, San Antonio, TX	116	TS, SS, A
Vista Hotel, Orlando, FL	242	TS, SS, A
Westin, Orlando, FL	245	SB, SS, A

Student Housing	# Units	Type
Athens, GA	550	VT
Auburn, AL	808	VT
Corpus Christie, TX	653	VT
Harrisburg, VA	307	VT
Statesboro, GA	135	VT
Radford University, Radford, VA	100	SB, SS, VT
University of Oklahoma, Rochester, MI	255	VT

Multi Family	# Units	Type
Alden Ridge, Clarkeston, GA	576	TS
Central Methodist Gardens, Atlanta, GA	240	VT
Oakland Apartments, Jacksonville FL	66	TS, WS
Palmilla Apartments, Charleston, SC	75	TX, A
The Commons at Imperial	75	VT
The Village at Lake Park, Smyrna, GA	1700	TS
Wertland II Apartments, Atlanta, GA	128	VT

Senior Living	# Units	Type
East Cobb Retirement Center, Marietta, GA	90	VT
Retirement Community, Fort Wayne, IN	90	SB, SS
SW Austin Assisted Living, Austin, TX	89	VT
Windermere Assisted Living, Cumming, GA	192	TS, SS, A
Windsor House Asst Living, Evans GA	25	SB

Legend:

- TS = Tub Surrounds
- SB = Shower Bases
- SS = Shower Surrounds
- O = Other
- VT = Vanity Tops
- WS = Window Sills
- A = Accessories

Typical CSI Codes: 06 61 13 (Div 06), 22 42 23 (Div 22), 10 28 16 (Div 10), and 10 28 19 (Div 10)

Our products comply with one or more of the following: IAPMO, ANSI, HUD, NAHB, NHQ.

Revised: 2020.03.18
© 2020 Copyright IMI Intl. Marble Industries, Inc.





Our Story

In 1983, Dirk De Vuyst relocated from Belgium to New York City to establish an office and distribution center for a large textile manufacturer in Belgium. He arrived at JFK airport with a credit card, 2 suit cases and a mission: go sell textiles in the USA! His efforts ultimately translated into a multimillion dollar investment by the Belgian company to build a spinning mill and weaving facility in South Carolina.

In 1989, Dirk became the CEO of a carpet and rug plant in Georgia. Leading a team of 250, he operated a full continuous extrusion and weaving plant, honed his leadership skills and his love for manufacturing.

In 1995, Dirk bought the assets of Intl Marble Industries, Inc. (IMI) in Woodstock, GA, refocused its operations on servicing only the Atlanta Homebuilder better. IMI introduced a "guaranteed 5-day install" to the Atlanta market. Soon the contractors began to take notice. In 1998, the company moved into a brand new 30,000 sq. ft facility on 5 acres in Bell Industrial Business Park.

By 2006, Atlanta homebuilders built 60,000 homes a year and IMI, with its 125 team members, would manufacture and install its cultured marble products for 18,000 of the 60,000 homes built per year!

During the Great Recession, IMI's management re-focused its resources on manufacturing shower bases and tub/shower surrounds for Hospitality, Multi-Family and Student Housing. IMI also worked on brand approval with all major flags. In 2011, the company set up its own supply line of shower glass enclosures in China offering all popular styles to the hotel

By 2010, IMI expanded its Woodstock, GA plant to 50,000 sq. ft. in 2018, it added a 30,000 ft distribution center in Canton, Ga, a few miles North of the plant

The IMI plant is an EPA Certified manufacturing facility. IMI key staff and plant managers are CCT-CP certified (Certified Composites Technician – Cast Polymer). IMI manufactures "MasterCast" cultured marble products using the latest in full, continuous automatic casting technology guaranteeing the most consistent product quality and value available.

Lead-times are critical to our customers and IMI's team works hard to ensure that our clients receive their order on their schedule, not ours. Delivering quality cast marble surrounds and shower bases on YOUR schedule is our top priority.



Our Manufacturing Facility



Our Distribution Center

Revised: 2020.03.18

© 2020 Copyright IMI Intl. Marble Industries, Inc.





Cast Marble Solutions for Your Showers

IMI Facts

Dirk De Vuyst and Team IMI are proud to present our latest Spring 2015 Product Catalog. This new addition covers our largest collection ever of Cast Marble Solutions!

Since 1990 IMI continues to manufacture Cast Marble Solutions in its facility located in Woodstock, GA. IMI produces, packages and ships our cast marble products across the USA, Canada, South America, Europe and the Middle East.

IMI is focused on its core markets, and thoughtful in its business strategy. None of it would be possible without the unrelenting **commitment from our team**, the continued **support of our suppliers**, and most of all the **trust of our customers**.

IMI wishes you the best of success! We also look forward to meeting your needs during any phase of your project.

IMI Products:

- Cast Marble Products
 - Tub and Shower Surrounds
 - Shower Bases
 - Window Sills
 - Accessories
- Glass Shower Enclosures

IMI Industry Focus:

- Hospitality
- Student Housing
- Multi-Family
- Senior Living
- Military Housing
- Healthcare
- Resorts



Revised: 2020.03.18

© 2020 Copyright IMI Intl. Marble Industries, Inc.





IMI's 4 Promises

SHORT LEAD TIMES

IMI prides itself on having the shortest lead times in the industry. We can make your product within 8 weeks or less. We hold local inventory of the most popular styles of our **glass shower enclosures**, as well as our **solid surface shower bases**, which allows us to meet quick renovation timelines.

COST EFFICIENT

IMI's price point is the most competitive in the industry. With our proprietary filler dust, we have a more durable and flexible product, which limits your needs for replacement product, and increases efficiency in installation.

High Quality Product Mix + Economical Pricing = COST EFFICIENT or VALUE

LARGE/FAST DELIVERIES

IMI delivers its products anywhere in the Continental US, North America, the Caribbean, and Canada. We manufacture in truckloads, and can produce a few hotels a day out of our plant in Woodstock, GA.

MADE IN THE USA

IMI's **cast marble products** are made in the USA. We use only the best raw materials, and latest in automated casting technology. Our proprietary mix of filler improves durability and flexibility, which is a real plus for installers and owners.





What is Cultured Marble?

Cultured Marble is a precise blend of polyester resin, catalyst, material fillers and pigments that is thoroughly mixed and placed into open molds that have been coated with a clear gel coat. The gel coat is specially formulated to produce a tough, durable, transparent surface resistant to in service wear. IMI manufactures a unique range of colors, patterns, and veining.

The chemical reaction initiated by the catalyst causes the resin to polymerize and harden, bonding the entire matrix together in a hard, strong mass. After several hours of chemical curing, IMI products are removed from the molds and trimmed, ground, polished and inspected for quality control. IMI products are then ready for shipment and/or installation.

Cultured Marble is a manufactured product, and like natural marble, granite, etc., varies in shade and color. Other products such as carpet, wallpaper, and vinyl tile vary each time they are manufactured. Manufacturers refer to each "run" as a "dye lot."

The Advantages of Cultured Marble

- **Beauty** - Elegant, luxurious appearance.
- **Durability** - High strength, resistant to denting, chipping, abrasion and staining (with normal use and proper maintenance).
- **Lower Cost** - The casting process enables the manufacturer to produce cultured marble substantially lower than quarried marble.
- **Water and Mildew Resistant** - Silicone is used to seal the seams, and it is much less likely to leak or mildew than ceramic tile installations that use porous grout.

What Cultured Marble Products are Manufactured By IMI?

1. Shower Bases (Standard and Custom)
2. Tub Surrounds
3. Shower Surrounds
4. Window Sills
5. Accessories (Soap Dishes, Foot Rests, Trim, etc.)

Care and Maintenance of Cultured Marble

Because of the hard gel-coat surface and non-porous surfaces, it resists staining. Care is very simple. Routine cleaning with a soft sponge or cloth or non-abrasive aerosol foam cleaner is all that is normally needed to give many years of trouble-free service. Harsh abrasive cleaners are not required nor recommended.





Typical Delivery Methods

Full Truckload Flatbed Trailer or 53' Van

After IMI has produced your order and it is ready for shipment, unless otherwise specified, the material will be placed and shipped via a dedicated flatbed trailer or a 53' van. The order then ships FOB Woodstock, GA direct to the designated location.

A flatbed trailer is typically utilized for large Wall Surround orders while a 53' van is necessary for large Shower Base orders. For larger flatbed trailer deliveries, a forklift with a minimum lift capacity of 5000 lbs and forks at least 72" in length is required. A forklift as well as a pallet jack will be necessary for materials delivered in a 53' van.

Specifications 53' Closed Trailer:

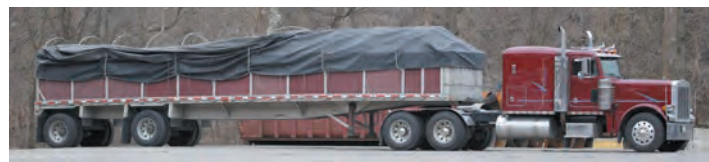
- Inside Length 52' 3"
- Door Width 8' 2"
- Door Height 8' 7"
- Inside Width 8' 2"
- Inside Height 9'
- Max Weight 44K lbs



Ex: 53' Van



LTL Carrier



Ex: Typical flatbed trailer

Contact name and phone number is required at the job site prior to shipping.

Note: If liftgate is needed or appointment is required, additional rates and transit days may apply.

Less Than Truckload (LTL) LTL Carrier

After IMI has produced your order and it is ready for shipment, it will ship LTL (Less than a truckload).

As a rule, these shipments are sent in a 53' Van and will be stopped, unloaded and reloaded at several terminals before it arrives at the designated location. The typical transit time is 2-4 business days. While shipping LTL doesn't cost as much as shipping partial, there is a greater opportunity for damage to the product while en route. IMI will crate and package to ensure the safest delivery.

Rates for an LTL shipments are based on the origin and destination, weight and the product being shipped. Removing the product will require a pallet jack and a forklift with a minimum lift capacity of 5000 lbs. and forks at least 72" in length.





AT IMI WE TAKE CRATING SERIOUSLY!

We start with pre built components designed around an engineered crate supplied to us by a multi-billion dollar crate and pallet manufacturer.

Then we put the components together to assure maximum strength for transportation to promote damage free delivery of your products.



Final results: safely strapped onto a flatbed for delivery to the job site.



Trust us: paying for the extra crating cost will keep your job on schedule (no waiting for replacement materials) and your costs in check (minimize the extra freight)

Thank you for considering IMI to be part of another successful project!





Cast Marble Solutions for Your Showers

Shower Base Reference Guide

Shower Base Size	Drain Location	DRAIN TYPE	Product #
36x34	Offset	Traditional	SB36x34-OD-LC
36x36	Center	Traditional	SB36x36-SSB-LC
36x48	Center	Traditional	SB36x48-SSB-LC
38x38	Center	Traditional	SB38x38-TB-LC
40x40	LH/RH Rear Corner Offset Drain	Traditional	SB40x40-RCOD-xH-LC
42x36	Center	Traditional	SB42x36-SSB-LC
42x42	Center	Traditional	SB42x42-SSB-LC
48x32	Center	Traditional	SB48x32-SSB-LC
48x34	Center	Traditional	SB48x34-SSB-LC
48x36	Center	Traditional	SB48x36-SSB-LC
48x36	LH/RH Rear Corner Offset Drain	10" Traditional	SB48x36-10RCOD-xH-LC
48x36	LH/RH	4" Trench	SB48x36-4TD-xH-LC
48x42	Center	Traditional	SB48x42-SSB-LC
48x48	Center	Traditional	SB48x48-SSB-LC
54x34	Center	Traditional	SB54x34-SSB-LC
54x34	LH/RH	8.5" Trench	SB54x34-8.5TD-xH-LC
60x30	Center	Traditional	SB60x30-SSB-LC
60x30	LH/RH Offset Drain	8.5" Traditional	SB60x30-8.5OD-xH-LC
60x30	LH/RH	8" Trench	SB60x30-8TD-xH-LC
60x30 Low Profile	LH/RH	8" Trench	SB60x30-LP-8TD-xH-LC
60x30-36 Curved Front	LH/RH	8.5" Traditional	SB60x30-36-CF-LC
60x32	Center Rear Offset Drain	Traditional	SB60x32-CROSD-LC
60x32	LH/RH	4" Trench	SB60x32-4TD-xH-LC
60x32	LH/RH	8.5" Trench	SB60x32-8.5TD-xH-LC
60x32	LH/RH	7.5" Traditional	SB60x32-7.5SSB-xH-LC
60x32	Center	Traditional	SB60x32-SSB-LC
60x32	LH/RH	5.5" Traditional	SB60x32-5.5SSB-xH-LC
60x32 Low profile	LH/RH	8" Traditional	SB60x32-LP8-xH-LC
60x32 Low profile	LH/RH	8" Trench	SB60x32-LP-8TD-xH-LC
60x34	Center	Traditional	SB60x34-SSB-LC
60x34	LH/RH	4" Trench	SB60x34-4TD-xH-LC
60x34	LH/RH	8" Trench	SB60x34-8TD-xH-LC
60x36	LH/RH	16.5" Traditional	SB60x36-16.5OD-xH-LC
60x36	LH/RH	3.5" Trench	SB60x36-3.5TD-xH-LC
60x36	LH/RH	8" Trench	SB60x36-8TD-xH-LC
60x36	Center	Traditional	SB60x36-SSB-LC
60x36	LH/RH	Rear Corner Offset Drain Traditional	SB60x36-10RCOD-xH-LC
60x42	LH/RH	Traditional	SB60x42-SSB-xH-LC
62x31 ADA	Center	Traditional	SB-RI-ADA-LC
62x36 ADA	Back or Front Drain	6" Trench	SB62x36-RI-6TD-LC
66x34	LH/RH	3.5" Trench	SB66x34-3.5TD-xH-LC
66x36	LH/RH	8" Trench	SB66x36-8TD-xH-LC
72x34	LH/RH	4" Trench	SB72x34-4TD-xH-LC
Adjustable Shower Base	Custom Location	Trench	SB-ADJ-CUSTOM-TD
Custom	Custom Location	Traditional	SB-CUSTOM-LC

Revised: 2020.03.18

© 2020 Copyright IMI Intl. Marble Industries, Inc.





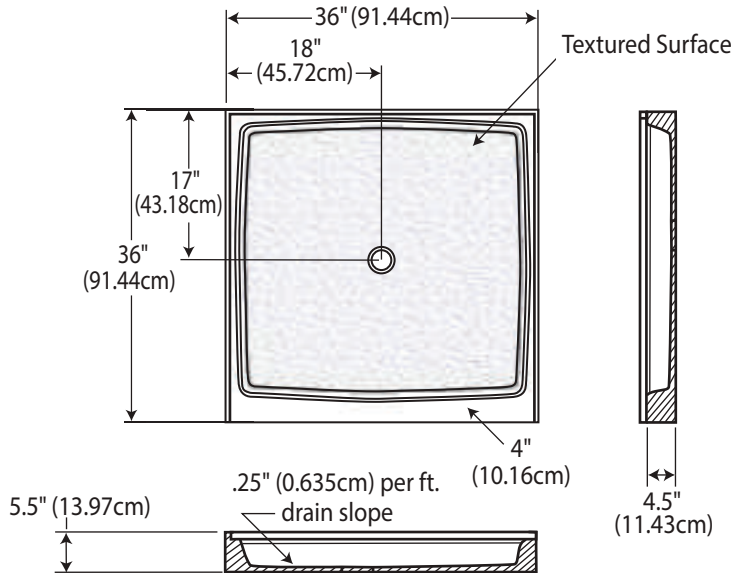
36" x 36" Standard Shower Base

SB36x36-SSB-LC

Est. Weight: ~100 lbs (45kg) IMI LiteCast™

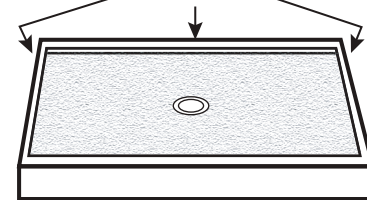
TECHNICAL SPECIFICATIONS

Top View



Front View

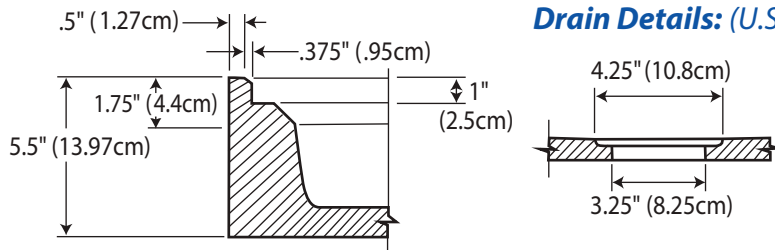
Integral Flange: Back and Sides



Standard Features:

- 4" (10cm) Wide threshold
- Solid one-piece construction
- Pre-leveled, rests on subfloor
- Mold and mildew resistant
- Bacteria resistant
- "Grout-free" and non-porous
- Stain resistant and easy to clean
- Waterproof and leakproof

Drain Details: (U.S.)



Suggested Drains:



Solvent Weld type fitting similar to Oatey Part No. 42097



Compression type "No-Caulk" fitting similar to Oatey Part No. 42099



Note: Base dimensions may vary +/- 1/8"

* Also available in IMI ProCast™

Our products comply with one or more of the following: IAPMO, ANSI, HUD, NAHB, NHQ

Typical CSI Codes: 22 42 23 (Div 22)

Revised: 2020.03.18

© 2020 Copyright IMI Intl. Marble Industries, Inc.

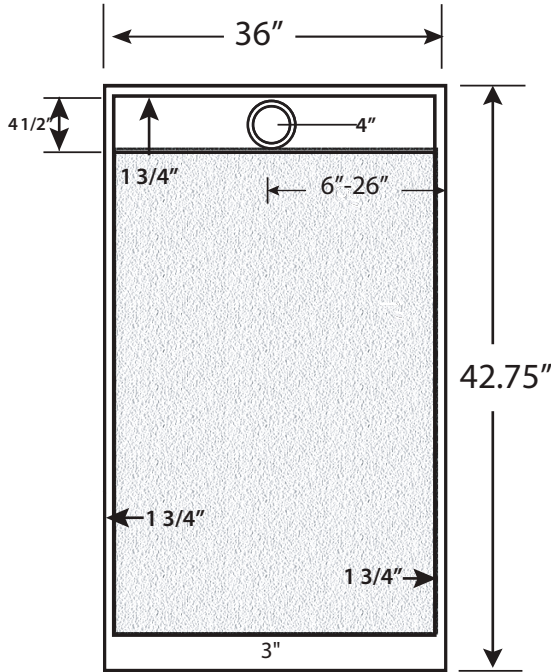




36" x 42 3/4" - 4" Trench Drain

SB36x42.75-4TD-LC

TECHNICAL SPECIFICATIONS



Standard Features:

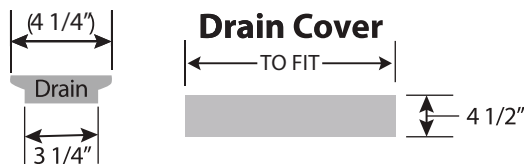
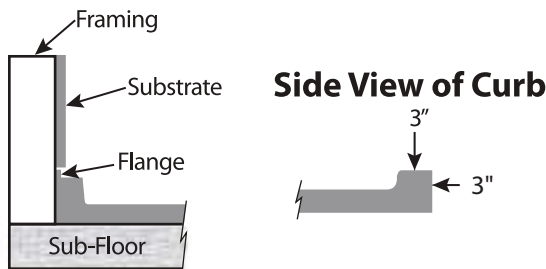
- Solid one-piece construction
- Pre-leveled - rests on subfloor
- Mold and mildew resistant
- Bacteria resistant
- Textured non-slip finish
- Abrasion resistant gel coat surface
- Stainless steel trench drain cover

Specifications:

- Size: 36" x 43" Size
- Drain Location: Center of drain measures 4" from side of pan 6-26" from backwall
- Flange: Fiberglass
- Trench: 4 1/2" width

Suggested Drains:

- Solvent Weld type fitting similar to Oatey Part No. 42097
- Compression type "No-Caulk" fitting similar to Oatey Part No. 42099



Note: Base dimensions may vary +/- 1/8"

* Also available in IMI ProCast™

Our products comply with one or more of the following: IAPMO, ANSI, HUD, NAHB, NHQ

Typical CSI Codes: 22 42 23 (Div 22)

Revised: 2020.03.18

© 2020 Copyright IMI Intl. Marble Industries, Inc.



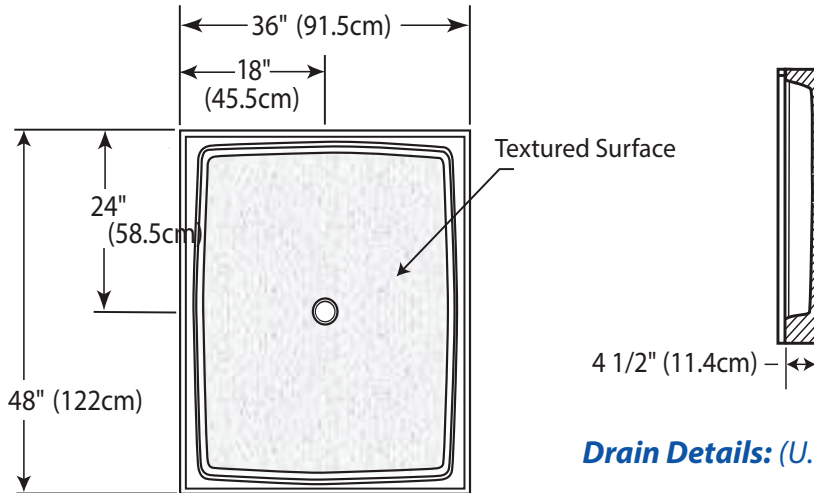


36" x 48" Standard Shower Base

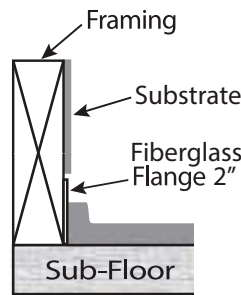
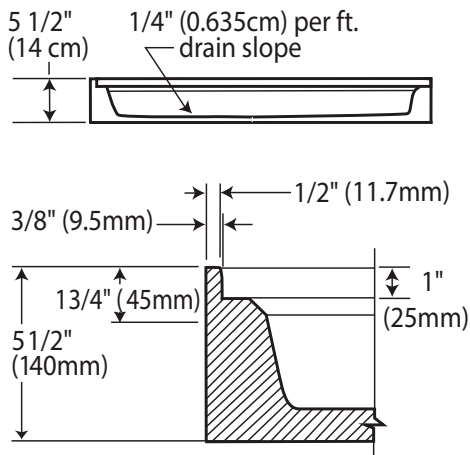
SB36x48-SSB-LC

Est. Weight: 72 lbs (32.7 kg) IMI LiteCast™

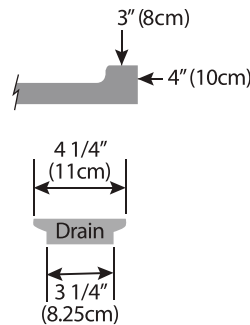
TECHNICAL SPECIFICATIONS



Drain Details: (U.S.)



Side View of Curb



Standard Features:

- 4" (10.2cm) Wide threshold
- Solid one-piece construction
- Pre-leveled, rests on subfloor
- Mold and mildew resistant
- Bacteria resistant
- "Grout-free" and non-porous
- Stain resistant and easy to clean
- Waterproof and leakproof
- Integral flange

Specifications:

- Size: 36 x 48" Size (91cm x 122cm)
- Drain Location: Center of drain measures 24" (61cm) from backwall)

Suggested Drains:

- Solvent Weld type fitting similar to Oatey Part No. 42097
- Compression type "No-Caulk" fitting similar to Oatey Part No. 42099

Note: Base dimensions may vary +/- 1/8"

* Also available in IMI ProCast™

Our products comply with one or more of the following: IAPMO, ANSI, HUD, NAHB, NHQ

Typical CSI Codes: 22 42 23 (Div 22)

Revised: 2020.03.18

© 2020 Copyright IMI Intl. Marble Industries, Inc.



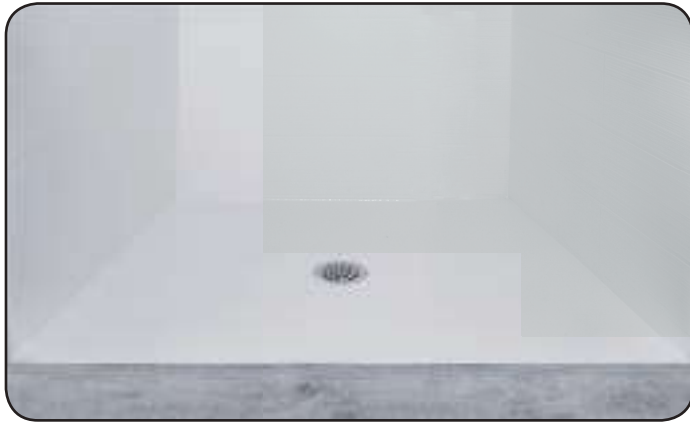


Transfer Shower Base

SB-TB-ADA-LC

Technical Specifications

CSI Code 22 42 23



Specifications:

- Size: 38" x 38"
- Drain Location: Center
- Flange: Fiberglass on side and back walls
- Weight: ~ 63 lbs.
- Available colors: Solid White SW-304

Standards and Ratings:

- ANSI Z124.1.2
- Meets IAPMO requirements
- ASTM 1028-06 coefficient of friction test (minimum rating of .67)

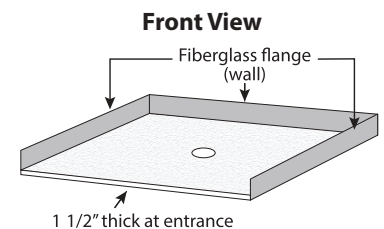
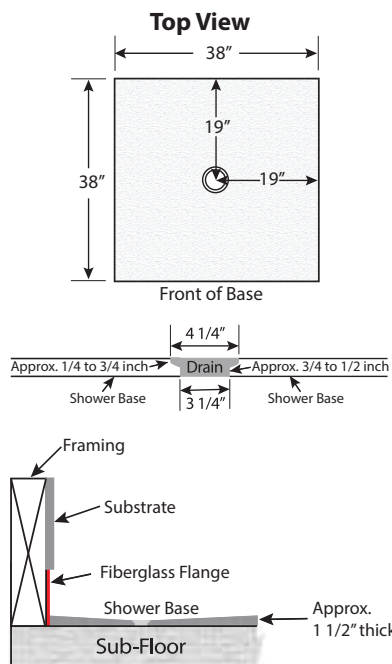
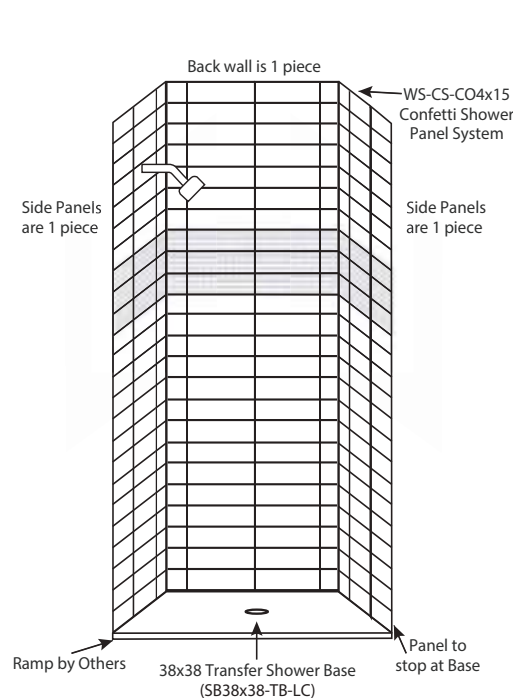
Suggested Drains:

- Solvent Weld type fitting similar to Oatey Part No. 42097
- Compression type "No-Caulk" fitting similar to Oatey Part No. 42099

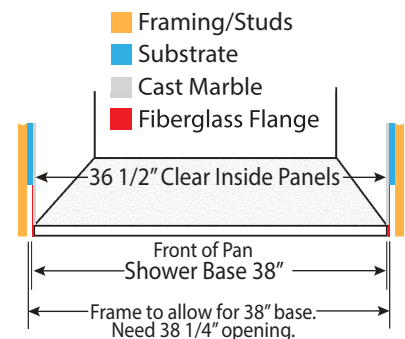
Drain NOT included

Standard Features:

- Solid one-piece construction
- Abrasion resistant gel coat surface
- Extremely sanitary
- Mold or mildew resistant
- Textured non-slip finish
- Pre-leveled - rests on sub floor
- 10 year limited warranty against manufacturing defects



Based on 38"x38" Custom Shower Base LEGEND



Note: Base dimensions vary +/- 1/8"

Revised: 2020.03.18

© 2020 Copyright IMI Intl. Marble Industries, Inc.



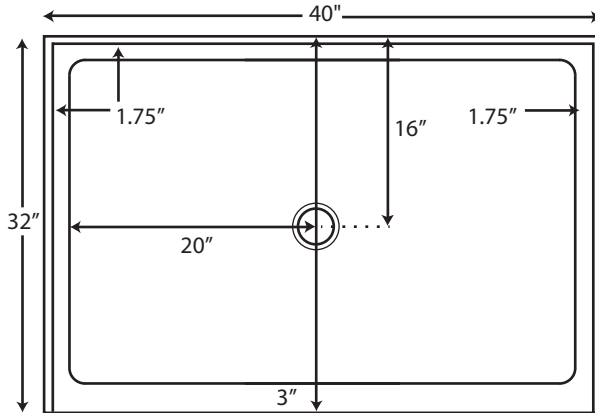


40" x 32" Shower Base w/Center Drain

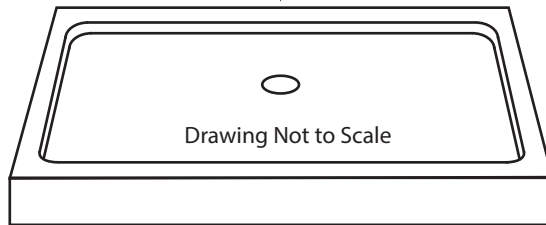
SB40x32-SSB-LC

Est. Weight: 190 lbs (84.37 kg) IMI LiteCast™

TECHNICAL SPECIFICATIONS



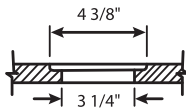
Flange Attached at Factory



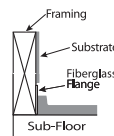
Drawing Not to Scale

Integral 3" Wide Curb

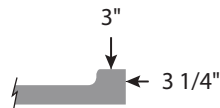
Drain Details: (U.S.)



Flange Details: (U.S.)



Side View of Curb



Specifications:

- Size: 40" x 32"
- Drain: Center
- Drain Opening: 3.25" Hole Width
- Curb: Integral - 3" x 3.25" High
- Flange: Attached at Factory
- Solid One-Piece Construction
- Pre-Leveled, Rests on Subfloor
- Mold and Mildew Resistant
- Bacteria Resistant
- "Grout-Free" and Non-Porous
- Stain Resistant and Easy to Clean
- Water Proof and Leak Proof

Standards & Ratings:

- ANSI Z124.1.2
- 2005 Tested by NAHB
- ASTM 1028-96
- Coefficient of friction test (minimum rating of .67)

Suggested Drains:

- ANSI Z124.1.2
- 2005 Tested by NAHB
- ASTM 1028-96
- Coefficient of friction test (minimum rating of .67)

NOTE: Base dimensions may vary +/- 1/8"

Drain not included.

Our products comply with one or more of the following: IAPMO, ANSI, HUD, NAHB, NHQ

Typical CSI Codes: 22 42 23 (Div 22)

Revised: 2020.03.18

© 2020 Copyright IMI Intl. Marble Industries, Inc.



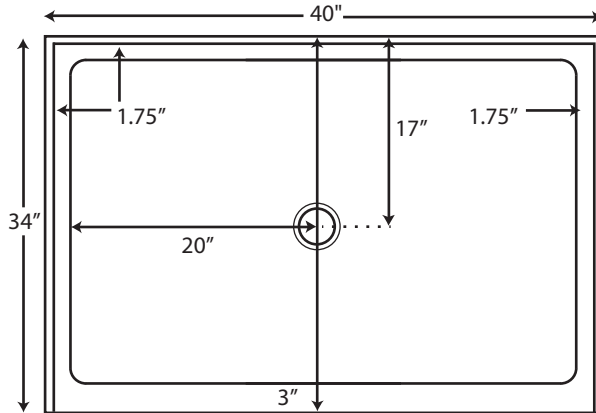


40" x 34" Shower Base w/Center Drain

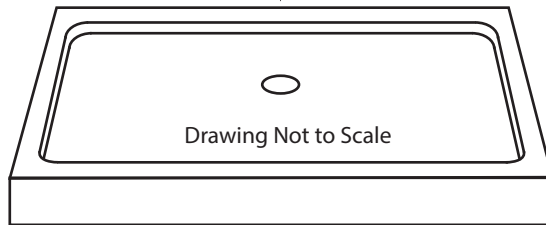
SB40x34-SSB-LC

Est. Weight: 190 lbs (84.37 kg) IMI LiteCast™

TECHNICAL SPECIFICATIONS



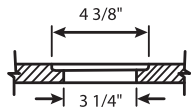
Flange Attached at Factory



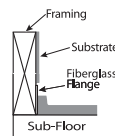
Drawing Not to Scale

Integral 3" Wide Curb

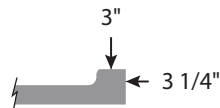
Drain Details: (U.S.)



Flange Details: (U.S.)



Side View of Curb



Specifications:

- Size: 40" x 34"
- Drain: Center
- Drain Opening: 3.25" Hole Width
- Curb: Integral - 3" x 3.25" High
- Flange: Attached at Factory
- Solid One-Piece Construction
- Pre-Leveled, Rests on Subfloor
- Mold and Mildew Resistant
- Bacteria Resistant
- "Grout-Free" and Non-Porous
- Stain Resistant and Easy to Clean
- Water Proof and Leak Proof

Standards & Ratings:

- ANSI Z124.1.2
- 2005 Tested by NAHB
- ASTM 1028-96
- Coefficient of friction test (minimum rating of .67)

Suggested Drains:

- ANSI Z124.1.2
- 2005 Tested by NAHB
- ASTM 1028-96
- Coefficient of friction test (minimum rating of .67)

NOTE: Base dimensions may vary +/- 1/8"

Drain not included.

Our products comply with one or more of the following: IAPMO, ANSI, HUD, NAHB, NHQ

Typical CSI Codes: 22 42 23 (Div 22)

Revised: 2020.03.18

© 2020 Copyright IMI Intl. Marble Industries, Inc.

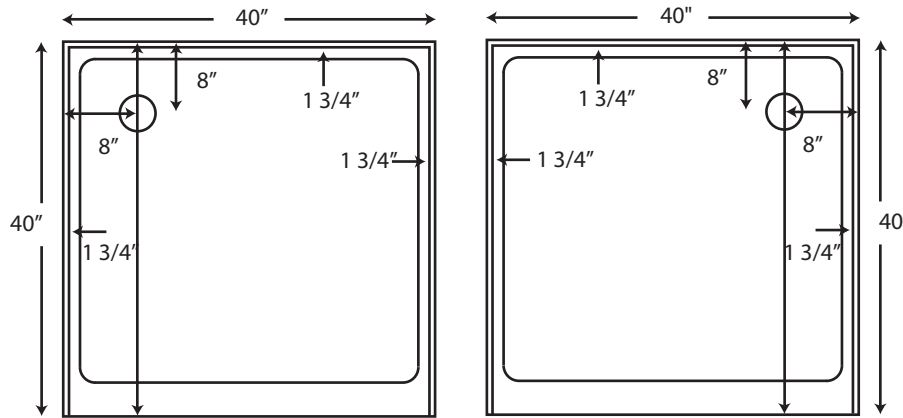




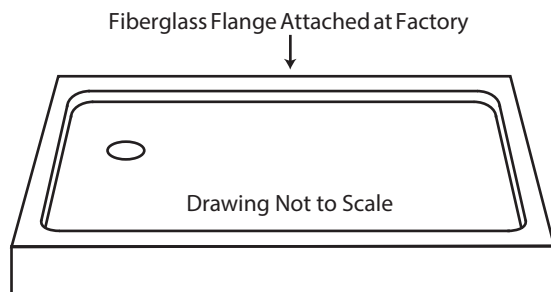
40" x 40" Shower Base w/ LH or RH Drain

SB40x40-RCOD-xH-LC

TECHNICAL SPECIFICATIONS



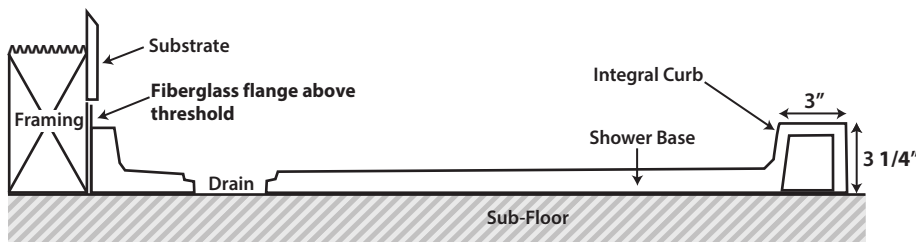
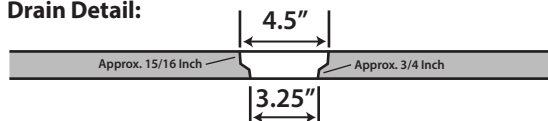
Note: Drain opening is NOT a standard drain opening. This base can only be used with the Winglts Vortex Shower Drain pictured below.



Integral 3 1/4" Curb

Left Hand Drain Shown. Left & Right Hand Drain Available

Drain Detail:



Drain not included. Finished product dimensions may vary +/- 1/8" from drawing.

Specifications:

- Available in Left Hand and Right Hand Version
- Size: 40" x 40"
- Drain: Corner Winglts
- Drain Opening: 4.5" Hole Width
- Curb: Integral - 3" x 3 1/4" High
- Flange: Fiberglass Attached at Factory
- Solid One-Piece Construction
- Pre-Leveled, Rests on Subfloor
- Mold and Mildew Resistant
- Bacteria Resistant
- "Grout-Free" and Non-Porous
- Stain Resistant and Easy to Clean
- Water Proof and Leak Proof

Standards & Ratings:

ANSI Z124.1.2
- 2005 Tested by NAHB

ASTM 1028-96
-Coefficient of friction test (minimum rating of .67)

Drain available from Winglts
Winglt model #WVSD2

Our products comply with one or more of the following: IAPMO, ANSI, HUD, NAHB, NHQ

All products made of cultured marble, also known as MasterCast

Typical CSI Codes: 22 42 23 (Div 22)

Revised: 2020.03.18

© 2020 Copyright IMI Intl. Marble Industries, Inc.



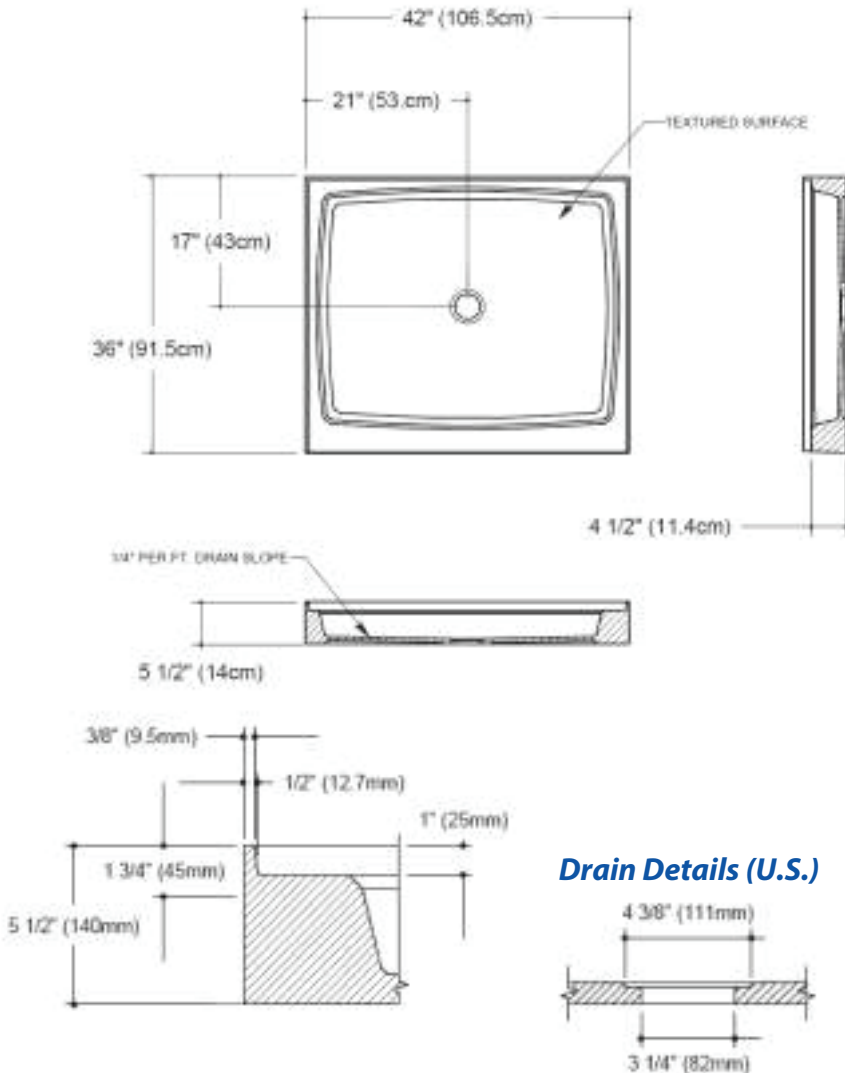


42" x 36" Standard Shower Base

Est. Weight: 58 lbs (26.3 kg) IMI LiteCast™

SB42x36-SSB-LC

TECHNICAL SPECIFICATIONS



Standard Features:

- 4" (10.2 cm) wide threshold
- Solid one-piece construction
- Pre-leveled - rests on subfloor
- Mold and mildew resistant
- Bacteria resistant
- "Grout-free" and non-porous
- Stain resistant and easy to clean
- Waterproof and leakproof
- Integral flange



Recommended drains that will fit custom shower bases:



Solvent Weld type fitting similar to Oatey Part No. 42097



Compression type "No-Caulk" fitting similar to Oatey Part No.42099

Note: Base dimensions vary by +/- 1/8"

* Also available in IMI ProCast™

Our products comply with one or more of the following: IAPMO, ANSI, HUD, NAHB, NHQ

Typical CSI Codes: 22 42 23 (Div 22)

Revised: 2020.03.18

© 2020 Copyright IMI Intl. Marble Industries, Inc.





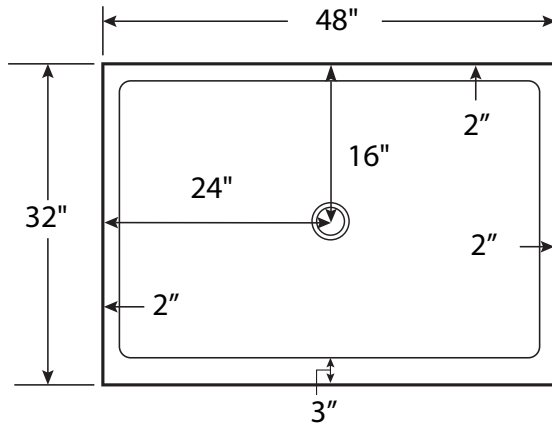
48"x32" Standard Center Drain Shower Base

SB48x32-SSB-LC

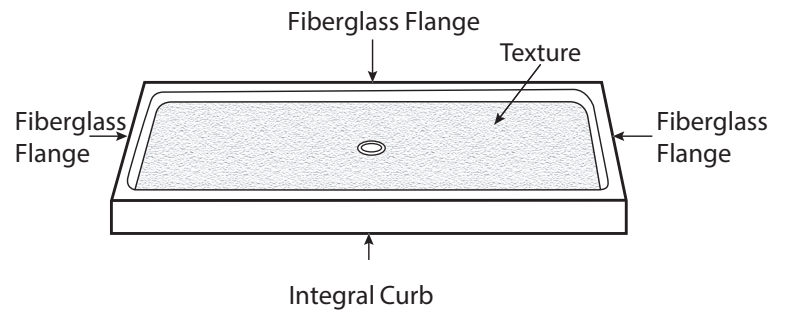
IMI LiteCast™

TECHNICAL SPECIFICATIONS

Top View



Front View



Recommended drains that will fit custom shower bases:



Solvent Weld type fitting similar to Oatey Part No. 42097

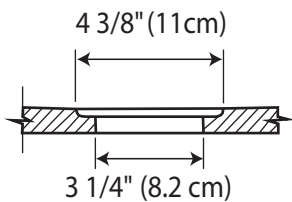


Compression type "No-Caulk" fitting similar to Oatey Part No. 42099

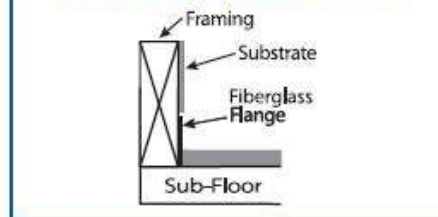
Standard Features:

- 3" wide curb, 2 3/4" tall curb
- Flange: Fiberglass
- Solid One-Piece Construction
- Pre-leveled, rests on subfloor
- Mold and mildew Resistant
- Bacteria Resistant
- "Grout free" and non-porous
- Stain resistant and easy to clean
- Waterproof and Leakproof Drain NOT included

Drain Details: (U.S.)



Flange Details: (U.S.)



Note: Base dimensions may vary +/- 1/8"

Our products comply with one or more of the following: IAPMO, ANSI, HUD, NAHB, NHQ

Typical CSI Codes: 22 42 23 (Div 22)

Born On: 2019.11.01 | Revised: 2020.03.18
© 2020 Copyright IMI Intl. Marble Industries, Inc.



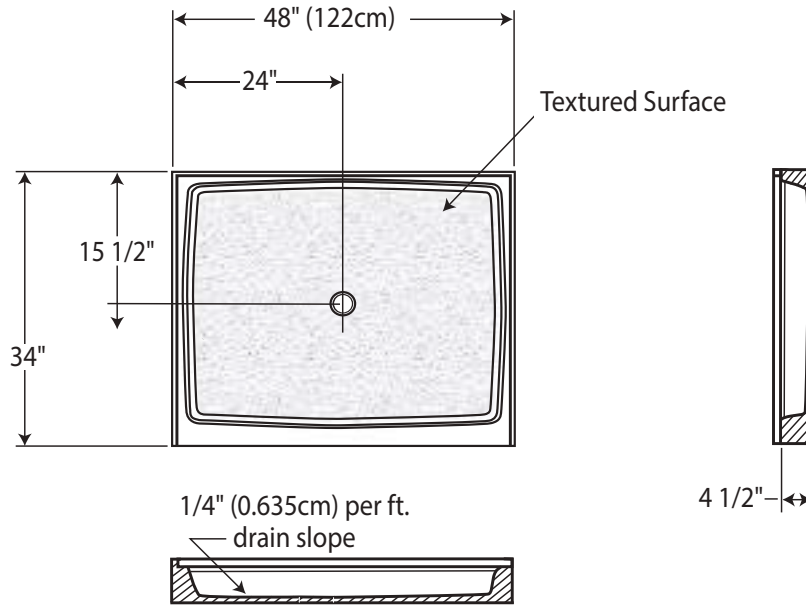


48" x 34" Standard Shower Base

SB48x34-SSB-LC

Est. Weight: 85 lbs (44 kg) IMI LiteCast™

TECHNICAL SPECIFICATIONS



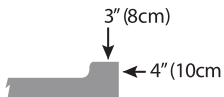
Standard Features:

- 4" (10cm) Wide threshold
- Solid one-piece construction
- Pre-leveled, rests on subfloor
- Mold and mildew resistant
- Bacteria resistant
- "Grout-free" and non-porous
- Stain resistant and easy to clean
- Waterproof and leakproof

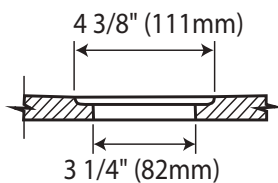
Specifications:

- Size: 48" x 34" Size (122cm x 91cm)
- Drain Location: Center of drain measures 24" from backwall)

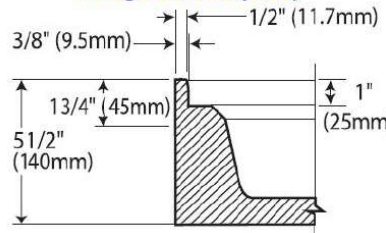
Side View of Curb



Drain Details:(U.S.)



Flange Details:(U.S.)



Suggested Drains:

- Solvent Weld type fitting similar to Oatey Part No. 42097
- Compression type "No-Caulk" fitting similar to Oatey Part No. 42099



NOTE: Base dimensions may vary +/- 1/8"

* Also available in IMISolidCast™

Our products comply with one or more of the following: IAPMO, ANSI, HUD, NAHB, NHQ

Typical CSI Codes: 22 42 23 (Div 22)

Revised: 2020.03.18

© 2020 Copyright IMI Intl. Marble Industries, Inc.



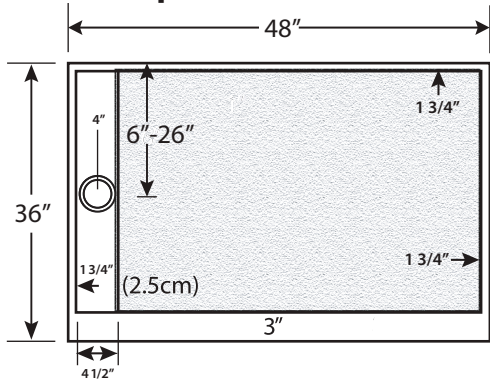


48" x 36" - 4" Trench Drain LH or RH

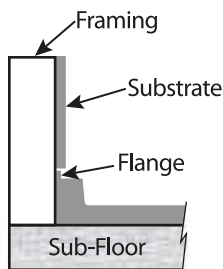
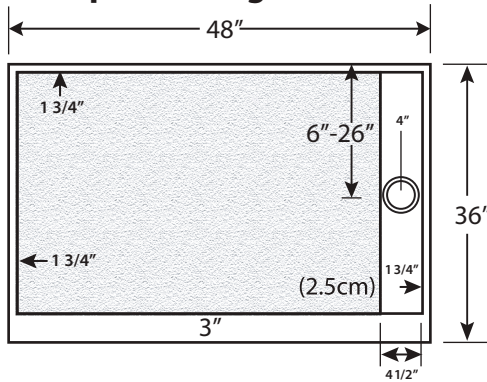
SB48x36-4TD-xH-LC

TECHNICAL SPECIFICATIONS

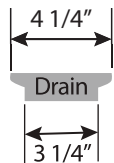
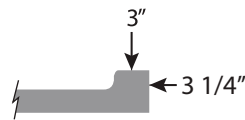
Top View - Left Drain



Top View - Right Drain



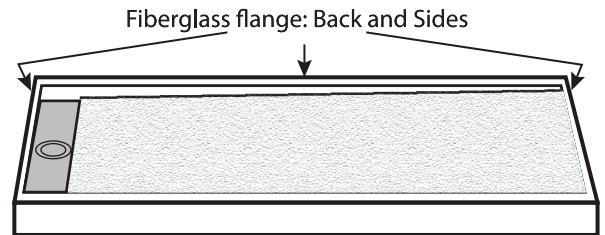
Side View of Curb



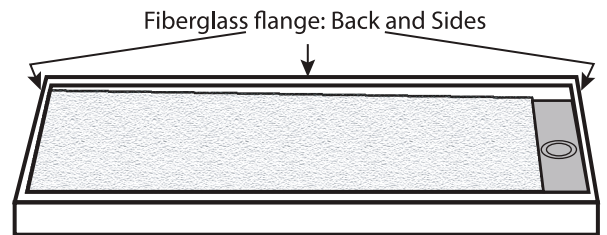
Drain Cover



Front View - Left Drain



Front View - Right Drain



Standard Features:

- Solid one-piece construction
- Pre-leveled - rests on subfloor
- Mold and mildew resistant
- Bacteria resistant
- Textured non-slip finish
- Abrasion resistant gel coat surface
- Stainless steel trench drain cover

Specifications:

- Size: 48" x 36" Size
- Drain Location: Center of drain measures 4" from side of pan 6"-26" from backwall
- Flange: Fiberglass
- Trench: 4 1/2" width

Suggested Drains:

- Solvent Weld type fitting similar to Oatey Part No. 42097
- Compression type "No-Caulk" fitting similar to Oatey Part No. 42099

Note: Base dimensions may vary +/- 1/8"

* Also available in IMI ProCast™

Our products comply with one or more of the following: IAPMO, ANSI, HUD, NAHB, NHQ

Typical CSI Codes: 22 42 23 (Div 22)

Revised: 2020.03.18

© 2020 Copyright IMI Intl. Marble Industries, Inc.





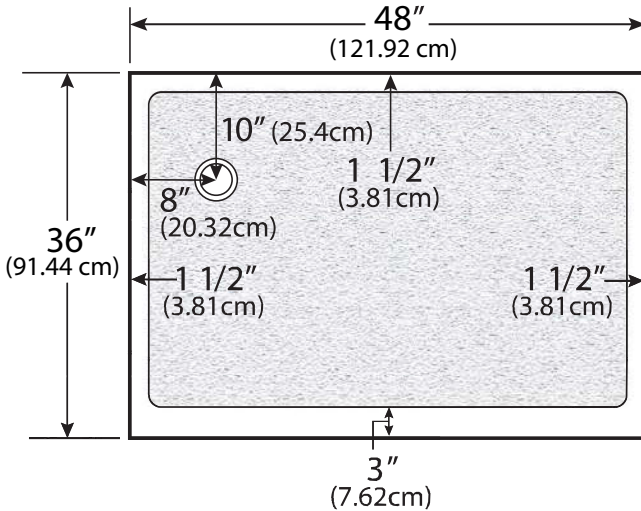
48" x 36" Rear Corner Offset Drain LH or RH

SB48x36-10RCOD-xH-LC

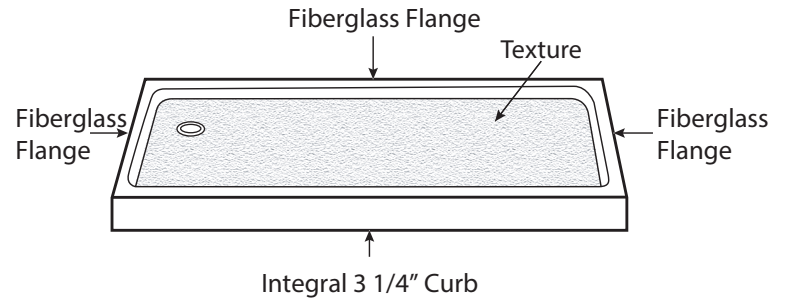
Est. Weight: 100 lbs (45 kg) IMI LiteCast™

TECHNICAL SPECIFICATIONS

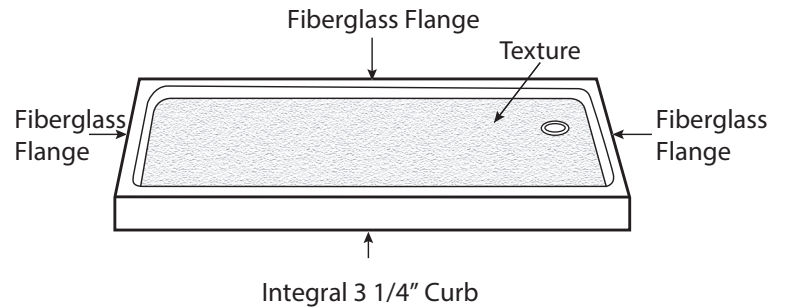
Top View



Front View (LH Placement)



Front View (RH Placement)



Recommended drains that will fit custom shower bases:

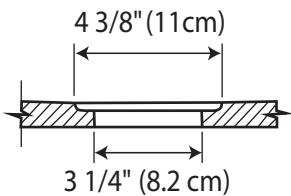


Solvent Weld type fitting similar to Oatey Part No. 42097

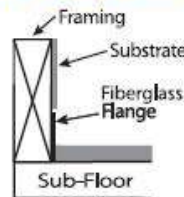


Compression type "No-Caulk" fitting similar to Oatey Part No. 42099

Drain Details: (U.S.)



Flange Details: (U.S.)



Standard Features:

- Corner drain - Left Hand or Right Hand - See Specs
- 3" x 4" Integral Curb & Flange
- 3" (7.6 cm) Wide thresholds on front
- Solid one-piece construction
- Pre-leveled, rests on subfloor
- Mold and mildew resistant
- Bacteria resistant
- "Grout-free" and non-porous
- Stain resistant and easy to clean
- Waterproof and leakproof
- Drain NOT included

Note: Base dimensions may vary +/- 1/8"

Our products comply with one or more of the following: IAPMO, ANSI, HUD, NAHB, NHQ

Typical CSI Codes: 22 42 23 (Div 22)

Revised: 2020.03.18

© 2020 Copyright IMI Intl. Marble Industries, Inc.





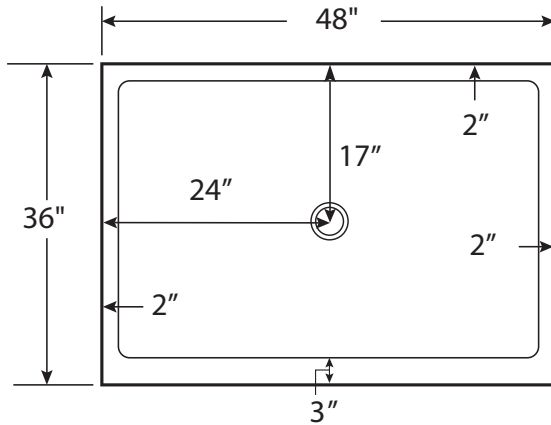
48" x 36" Standard Base with Center Drain

SB48x36-SSB-LC

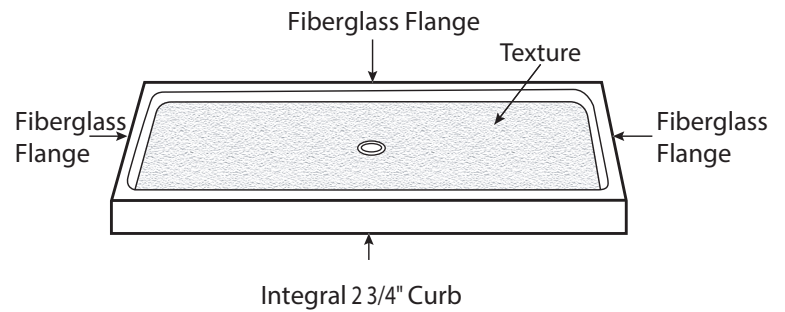
Est. Weight: 100 lbs (45 kg) IMI LiteCast™

TECHNICAL SPECIFICATIONS

Top View



Front View



Recommended drains that will fit custom shower bases:

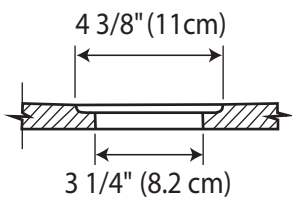


Solvent Weld type fitting similar to Oatey Part No. 42097

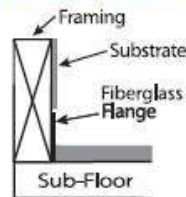


Compression type "No-Caulk" fitting similar to Oatey Part No. 42099

Drain Details: (U.S.)



Flange Details: (U.S.)



Standard Features:

- 3" wide curb, 2 3/4" tall curb
- Flange: Fiberglass
- Solid One-Piece Construction
- Pre-leveled, rests on subfloor
- Mold and mildew Resistant
- Bacteria Resistant
- "Grout free" and non-porous
- Stain resistant and easy to clean
- Waterproof and Leakproof
- Drain NOT included

Note: Base dimensions may vary +/- 1/8"

Our products comply with one or more of the following: IAPMO, ANSI, HUD, NAHB, NHQ

Typical CSI Codes: 22 42 23 (Div 22)

Revised: 2020.03.18

© 2020 Copyright IMI Intl. Marble Industries, Inc.



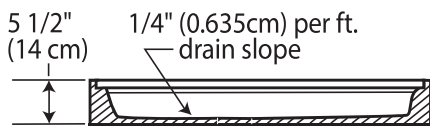
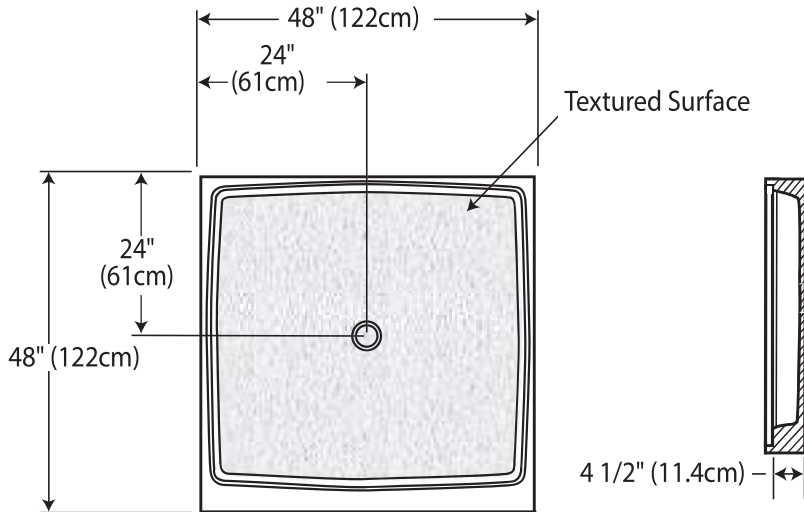


48" x 48" Standard Shower Base

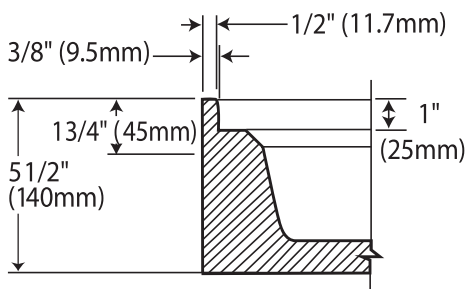
SB48x48-SSB-LC

Est. Weight: 100 lbs (45kg) IMI LiteCast™

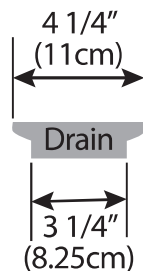
TECHNICAL SPECIFICATIONS



Flange Details: (U.S.)



Drain Details: (U.S.)



Standard Features:

- 4" (10cm) Wide threshold
- Solid one-piece construction
- Pre-leveled, rests on subfloor
- Mold and mildew resistant
- Bacteria resistant
- "Grout-free" and non-porous
- Stain resistant and easy to clean
- Waterproof and leakproof
- Integral flange

Specifications:

- Size: 48" x 48" Size (122cm x 122cm)
- Drain Location: Center of drain measures 24" (61cm) from backwall

Suggested Drains:

- Solvent Weld type fitting similar to Oatey Part No. 42097
- Compression type "No-Caulk" fitting similar to Oatey Part No. 42099

Note: Base dimensions may vary +/- 1/8"

* Also available in IMI ProCast™

Our products comply with one or more of the following: IAPMO, ANSI, HUD, NAHB, NHQ

Typical CSI Codes: 22 42 23 (Div 22)

Revised: 2020.03.18

© 2020 Copyright IMI Intl. Marble Industries, Inc.



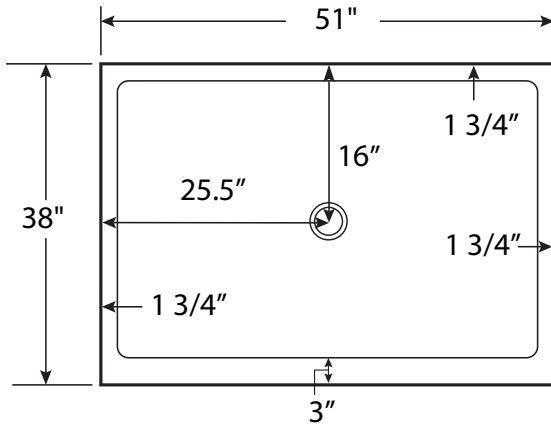


51" x 38" Standard Center Drain Shower Base

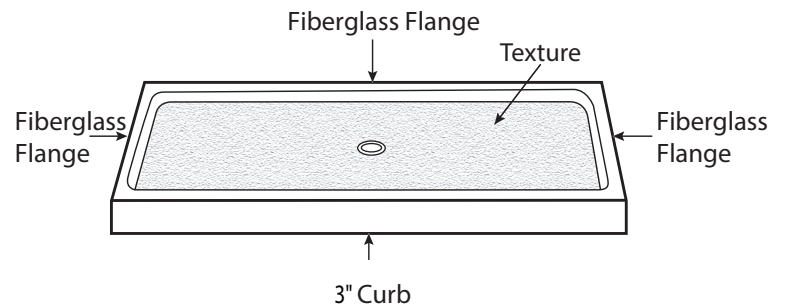
SB51X38-SSB-LC

TECHNICAL SPECIFICATIONS

Top View



Front View



Recommended drains that will fit custom shower bases:



Solvent Weld type fitting similar to Oatey Part No. 42097

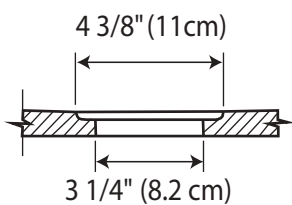


Compression type "No-Caulk" fitting similar to Oatey Part No. 42099

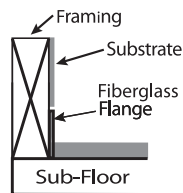
Standard Features:

- Solid, one-piece construction
- Pre-leveled, rests on subfloor
- Mold and mildew resistant
- Bacteria resistant
- Textured, non-slip finish
- Abrasion resistant gelcoat surface

Drain Details: (U.S.)



Flange Details: (U.S.)



Specifications:

- Size: 51" x 38"
- Drain Location: Centered in Base
- Flange: Fiberglass

Note: Base dimensions may vary +/- 1/8"

Our products comply with one or more of the following: IAPMO, ANSI, HUD, NAHB, NHQ

Typical CSI Codes: 22 42 23 (Div 22)

Born on: 2019.11.22 | Revised: 2020.03.18
© 2020 Copyright IMI Intl. Marble Industries, Inc.



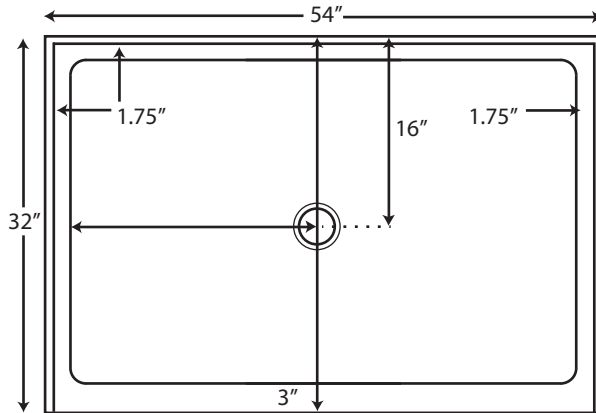


54" x 32" Shower Base w/Center Drain

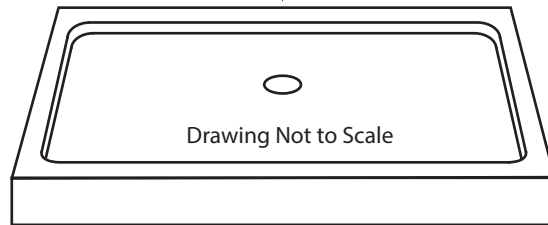
SB54x32-SSB-LC

Est. Weight: 190 lbs (84.37 kg) IMI LiteCast™

TECHNICAL SPECIFICATIONS



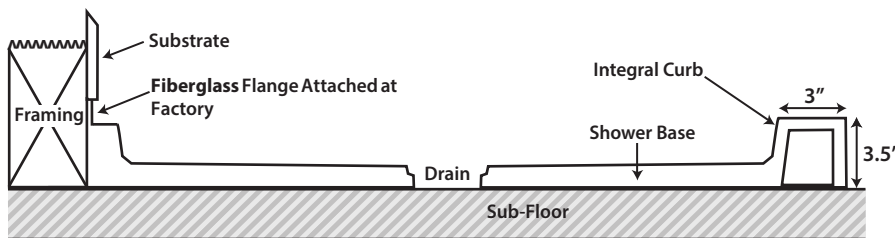
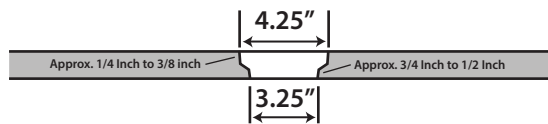
Fiberglass Flange Attached at Factory



Drawing Not to Scale

Integral 4" Curb

Drain Detail:



Drain not included.

Specifications:

- Size: 54" x 32"
- Drain: Center
- Drain Opening: 3.25" Hole Width
- Curb: Integral - 3" x 4" High
- Flange: Flange Attached at Factory
- Solid One-Piece Construction
- Pre-Leveled, Rests on Subfloor
- Mold and Mildew Resistant
- Bacteria Resistant
- "Grout-Free" and Non-Porous
- Stain Resistant and Easy to Clean
- Water Proof and Leak Proof

Standards & Ratings:

- ANSI Z124.1.2
- 2005 Tested by NAHB
- ASTM 1028-96
- Coefficient of friction test (minimum rating of .67)

Suggested Drains:

- ANSI Z124.1.2
- 2005 Tested by NAHB
- ASTM 1028-96
- Coefficient of friction test (minimum rating of .67)

NOTE: Base dimensions may vary +/- 1/8"

Our products comply with one or more of the following: IAPMO, ANSI, HUD, NAHB, NHQ

Typical CSI Codes: 22 42 23 (Div 22)

Revised: 2020.03.18

© 2020 Copyright IMI Intl. Marble Industries, Inc.



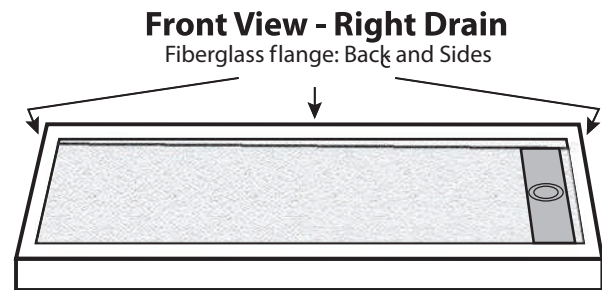
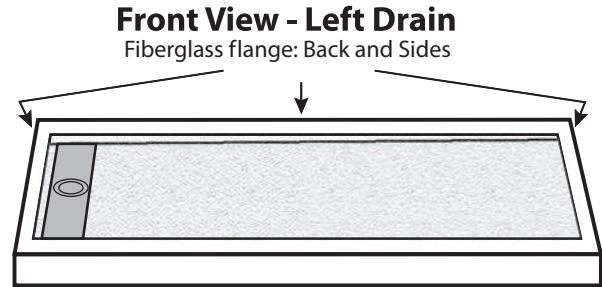
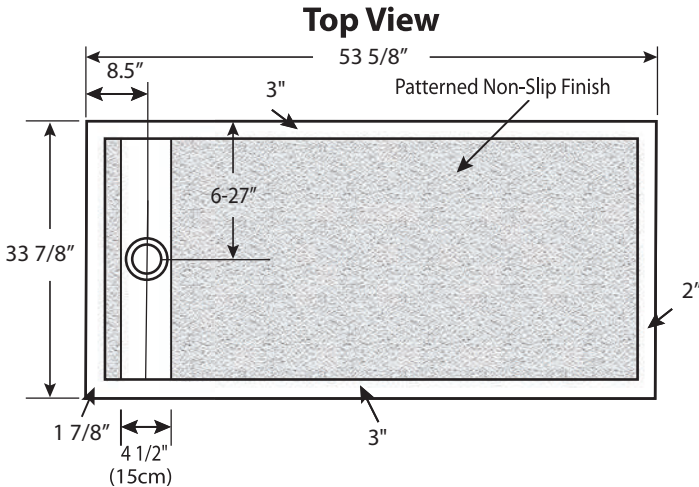


54" x 34" - 8.5" Universal Trench Drain

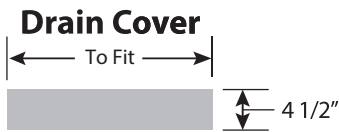
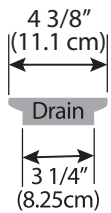
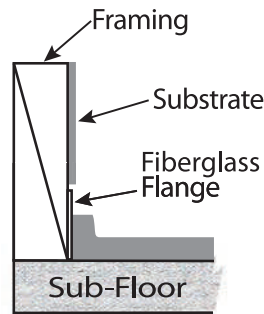
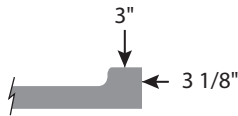
SB-54x34-8.5TD-XH-LC

Est. Weight: 155 lbs (79 kg) IMI LiteCast™

Shower Bases
TECHNICAL SPECIFICATIONS



Side View of Curb



Standard Features:

- Solid one-piece construction
- Pre-leveled - rests on sub floor
- Mold and mildew resistant
- Bacteria resistant
- Textured non-slip finish
- Abrasion resistant gelcoat surface
- Stainless steel trench drain cover

Specifications:

- Size: 54" x 34" Size
- Drain Location: Center of drain measures 8.5" from side of pan 6-27" from backwall
- Flange: Fiberglass
- Trench: 4 1/2" width

Suggested Drains:

- Solvent Weld type fitting similar to Oatey Part No. 42097
- Compression type "No-Caulk" fitting similar to Oatey Part No. 42099

Note: Base dimensions may vary +/- 1/8"

* Also available in IMI ProCast™

Our products comply with one or more of the following: IAPMO, ANSI, HUD, NAHB, NHQ

Typical CSI Codes: 22 42 23 (Div 22)

Revised: 2020.03.18

© 2020 Copyright IMI Intl. Marble Industries, Inc.



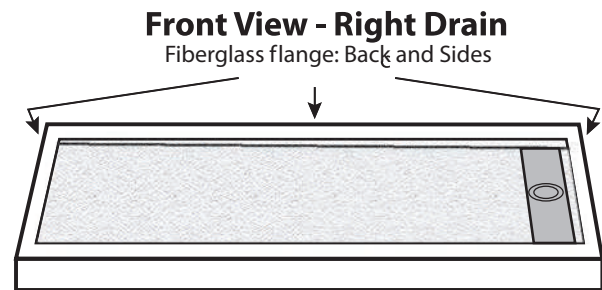
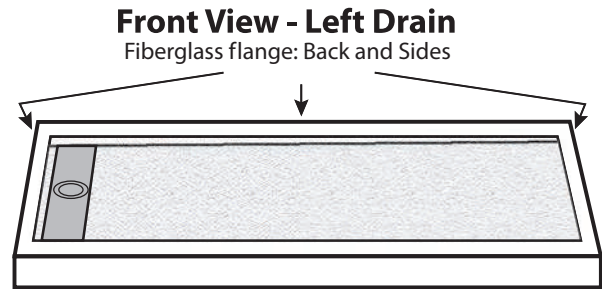
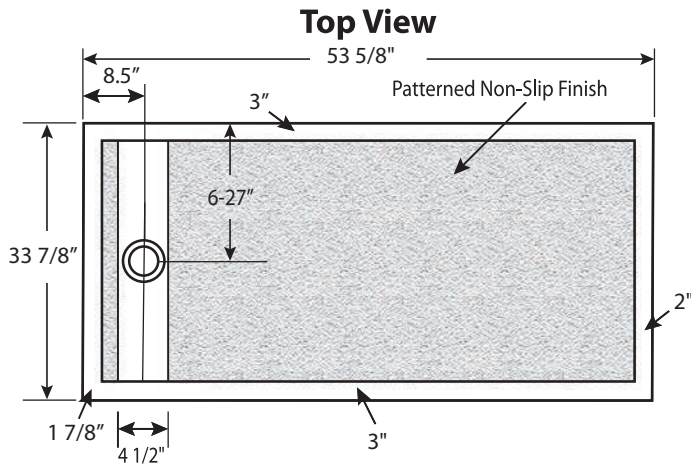


54" x 34" - 8.5" Trench Drain LH & RH

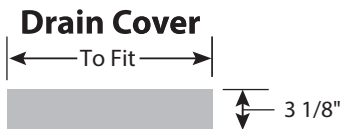
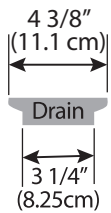
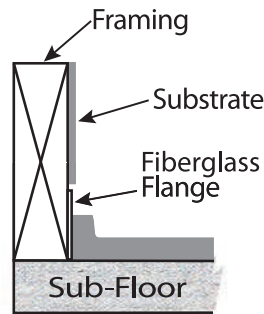
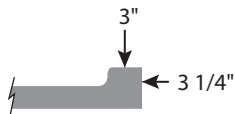
SB-54x34-8.5TD-XH-LC

Est. Weight: 155 lbs (79 kg) IMI LiteCast™

Shower Bases
TECHNICAL SPECIFICATIONS



Side View of Curb



Standard Features:

- Solid one-piece construction
- Pre-leveled - rests on sub floor
- Mold and mildew resistant
- Bacteria resistant
- Textured non-slip finish
- Abrasion resistant gelcoat surface
- Stainless steel trench drain cover

Specifications:

- Size: 54" x 34" Size
- Drain Location: Center of drain measures 8.5" from side of pan 6-27" from backwall
- Flange: Fiberglass
- Trench: 4 1/2" width

Suggested Drains:

- Solvent Weld type fitting similar to Oatey Part No. 42097
- Compression type "No-Caulk" fitting similar to Oatey Part No. 42099

Note: Base dimensions may vary +/- 1/8"

* Also available in IMI ProCast™

Our products comply with one or more of the following: IAPMO, ANSI, HUD, NAHB, NHQ

Typical CSI Codes: 22 42 23 (Div 22)

Revised: 2020.03.18

© 2020 Copyright IMI Intl. Marble Industries, Inc.



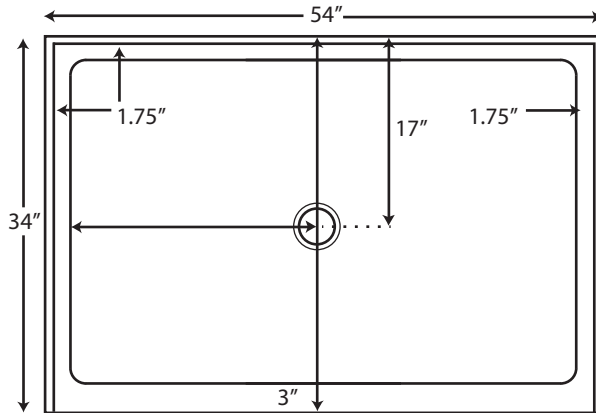


54" x 34" Shower Base w/Center Drain

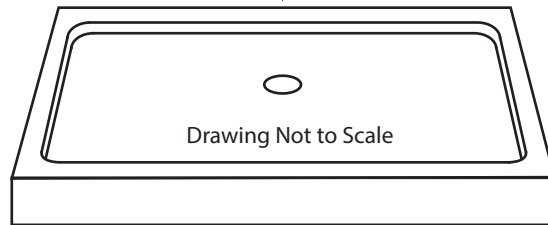
SB54x34-SSB-LC

Est. Weight: 190 lbs (84.37 kg) IMI LiteCast™

TECHNICAL SPECIFICATIONS



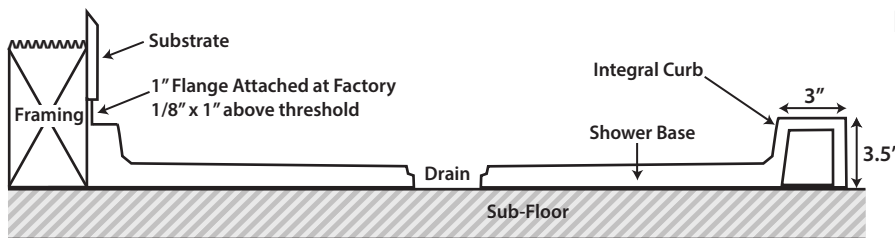
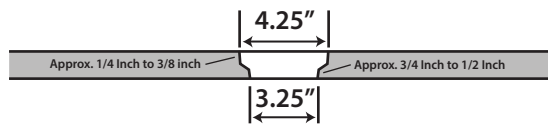
1" Flange Attached at Factory



Drawing Not to Scale

Integral 4" Curb

Drain Detail:



Drain not included. Finished product dimensions may vary +/- 1/8" from drawing.

Specifications:

- Size: 54" x 34"
- Drain: Center
- Drain Opening: 3.25" Hole Width
- Curb: Integral - 3" x 4" High
- Flange: 1" Flange Attached at Factory
- Solid One-Piece Construction
- Pre-Leveled, Rests on Subfloor
- Mold and Mildew Resistant
- Bacteria Resistant
- "Grout-Free" and Non-Porous
- Stain Resistant and Easy to Clean
- Water Proof and Leak Proof

Standards & Ratings:

- ANSI Z124.1.2
- 2005 Tested by NAHB
- ASTM 1028-96
- Coefficient of friction test (minimum rating of .67)

Suggested Drains:

- Solvent Weld type fitting similar to Oatey Part No. 42097
- Compression type "No-Caulk" fitting similar to Oatey Part No. 42099

NOTE: Base dimensions may vary +/- 1/8"

Our products comply with one or more of the following: IAPMO, ANSI, HUD, NAHB, NHQ

Typical CSI Codes: 22 42 23 (Div 22)

Revised: 2020.03.18

© 2020 Copyright IMI Intl. Marble Industries, Inc.



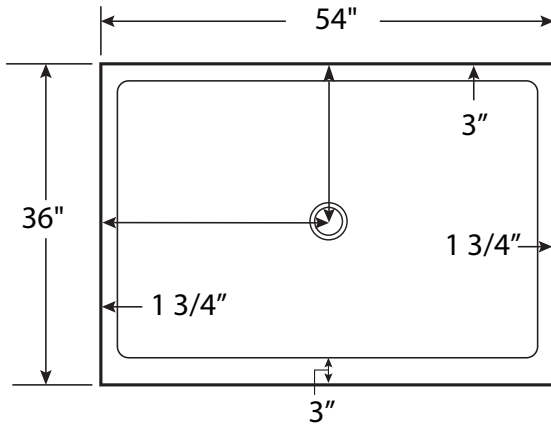


54" x 36" Standard Center Drain Shower Base

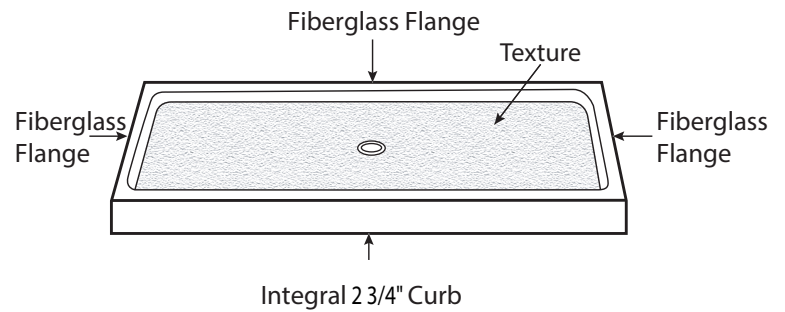
SB54X36-SSB-LC

TECHNICAL SPECIFICATIONS

Top View



Front View



Recommended drains that will fit custom shower bases:



Solvent Weld type fitting similar to Oatey Part No. 42097

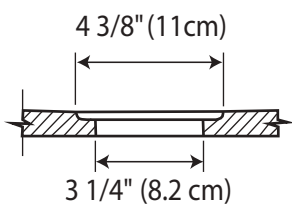


Compression type "No-Caulk" fitting similar to Oatey Part No. 42099

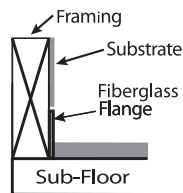
Standard Features:

- Solid, one-piece construction
- Pre-leveled, rests on subfloor
- Mold and mildew resistant
- Bacteria Resistant
- Textured, non-slip finish
- Abrasion resistant gelcoat surface
- Stainless steel trench cover

Drain Details: (U.S.)



Flange Details: (U.S.)



Specifications:

- Size: 54" x 36"
- Drain Location: Centered in Base
- Flange: Fiberglass

Note: Base dimensions may vary +/- 1/8"

Our products comply with one or more of the following: IAPMO, ANSI, HUD, NAHB, NHQ

Typical CSI Codes: 22 42 23 (Div 22)

Revised: 2020.03.18

© 2020 Copyright IMI Intl. Marble Industries, Inc.



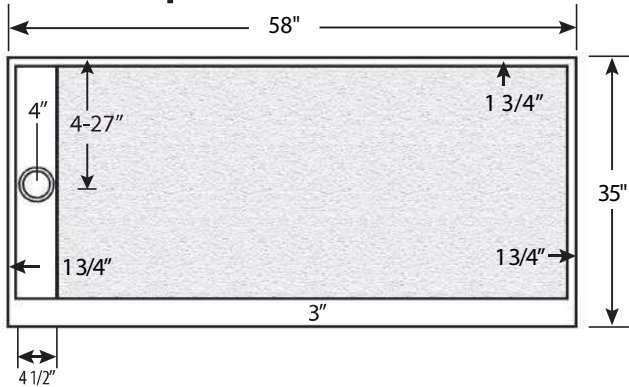


58" x 35" - 4" Trench Drain LH or RH Shower Base

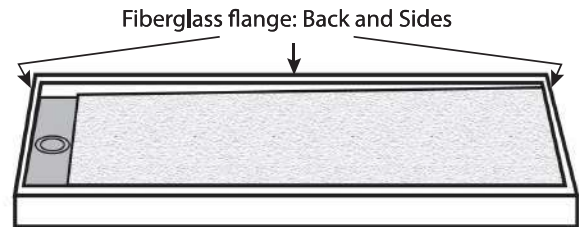
SB-58x35-4TD-xH-LC

TECHNICAL SPECIFICATIONS

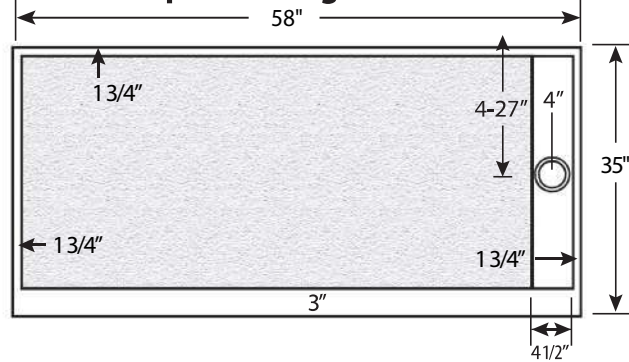
Top View - Left Drain



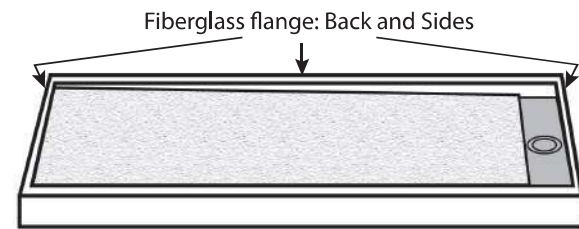
Front View - Left Drain



Top View - Right Drain



Front View - Right Drain



Standard Features:

- Solid one-piece construction
- Pre-leveled - rests on subfloor
- Mold and mildew resistant
- Bacteria resistant
- Textured non-slip finish
- Abrasion resistant gel coat surface
- Stainless steel trench drain cover

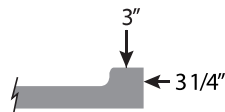
Specifications:

- Size: 58"x35" Size
- Drain Location: Center of drain measures 4" from side of pan
4-27" from backwall
- Flange: Fiberglass
- Trench: 4 1/2" width

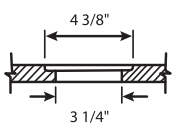
Suggested Drains:

- Solvent Weld type fitting similar to Oatey Part No. 42097
- Compression type "No-Caulk" fitting similar to Oatey Part No. 42099

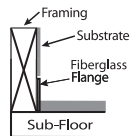
Side View of Curb



Drain Details: (U.S.)



Flange Details: (U.S.)



Drain Cover



Note: Base dimensions may vary +/- 1/8"

* Also available in IMI ProCast™

Our products comply with one or more of the following: IAPMO, ANSI, HUD, NAHB, NHQ

Typical CSI Codes: 22 42 23 (Div 22)

Revised: 2020.03.18

© 2020 Copyright IMI Intl. Marble Industries, Inc.





60"x 30"-36" Curved Front Shower Base

SB60X30-36-CF-SC

Technical Specifications

CSI Code 22 42 23



Specifications:

- Size: 30"- 36"x 60"
- Drain Location: 8 1/2" from side wall
- Drain Opening: 3 1/4" hole width
- Curb: Integral - 4" h x 3 1/2" w
- Flange: Integral
- Weight: ~ 210 lbs.

Standards and Ratings:

- ANSI Z124.1.2
- Meets IAPMO requirements
- ASTM 1028-06 coefficient of friction test (minimum rating of .67)

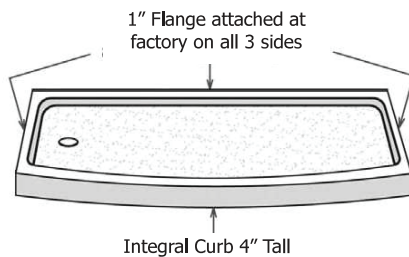
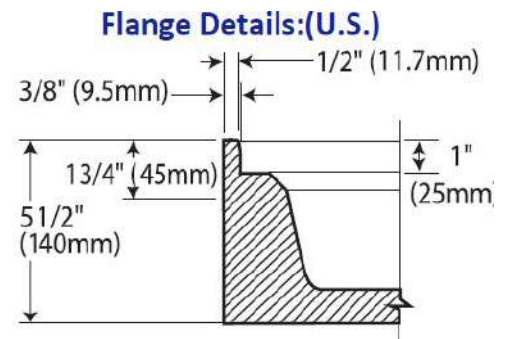
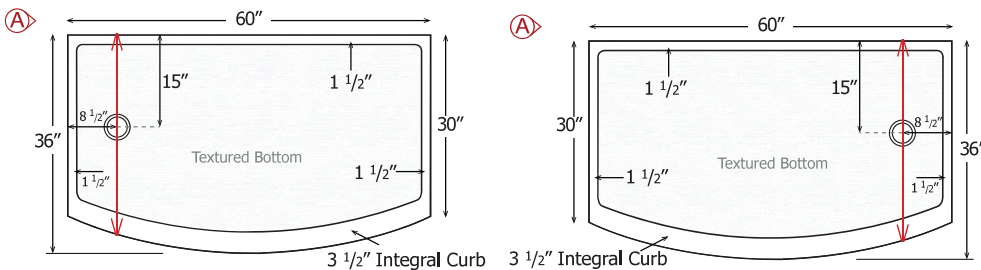
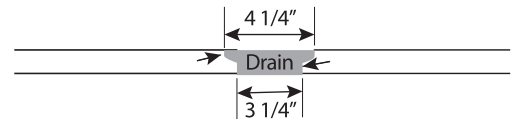
Suggested Drains:

- Solvent Weld type fitting similar to Oatey Part No. 42097
- Compression type "No-Caulk" fitting similar to Oatey Part No. 42099

Drain NOT included

Standard Features:

- Solid one-piece construction
- Abrasion resistant gel coat surface
- Extremely sanitary
- Mold or mildew resistant
- Textured non-slip finish
- Pre-leveled - rests on sub floor
- 10 year limited warranty against manufacturing defects



Left Hand Drain Shown. Left & Right Hand Drain Available.

Typical CSI Codes: 22 42 23 (Div 22)

Revised: 2020.03.18

© 2020 Copyright IMI Intl. Marble Industries, Inc.

Note: Base dimensions may vary +/- 1/8"

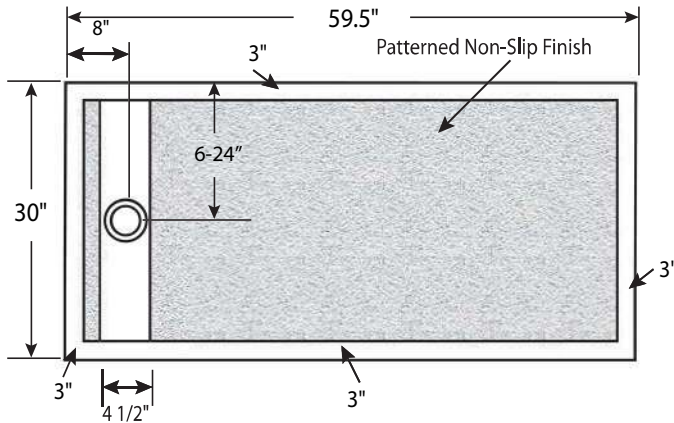




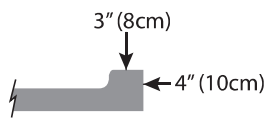
60" x 30"-8" Trench Drain LH or RH Shower Base SB60x30-8TD-XH-LC

Est. Weight: 160 lbs (72 kg) IMI LiteCast™

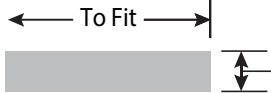
TECHNICAL SPECIFICATIONS



Side View of Curb

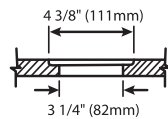


Drain Cover

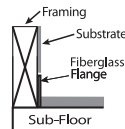


Note: pan dimensions vary +/- 1/8"

Drain Details: (U.S.)

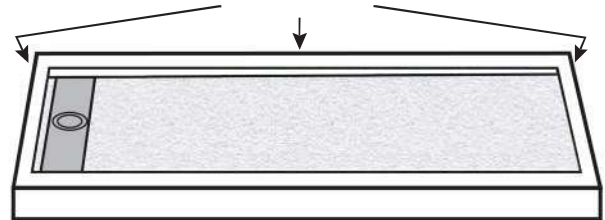


Flange Details: (U.S.)



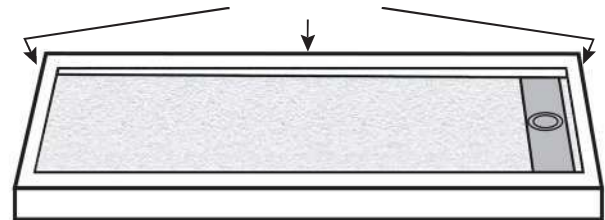
Front View - Left Drain

Fiberglass flange: Back and Sides



Front View - Right Drain

Fiberglass flange: Back and Sides



Standard Features:

- Solid one-piece construction
- Pre-leveled - rests on subfloor
- Mold and mildew resistant
- Bacteria resistant
- Textured non-slip finish
- Abrasion resistant gelcoat surface
- Stainless steel trench drain cover

Specifications:

- Size: 59.5" x 30"
- Drain Location: Center of drain measures 8" from side of pan
6-24" from backwall
- Flange: Fiberglass
- Trench: 4 1/2" width

Suggested Drains:



Solvent Weld type fitting similar to Oatey Part No. 42097



Compression type "No-Caulk" fitting similar to Oatey Part No. 42099

Note: Base dimensions vary by +/- 1/8"

* Also available in IMI ProCast™

Our products comply with one or more of the following: IAPMO, ANSI, HUD, NAHB, NHQ

Typical CSI Codes: 22 42 23 (Div 22)

Revised: 2020.03.18

© 2020 Copyright IMI Intl. Marble Industries, Inc.

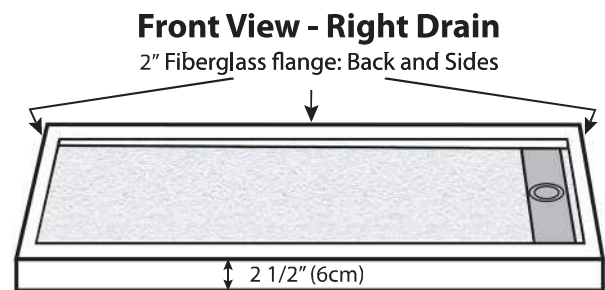
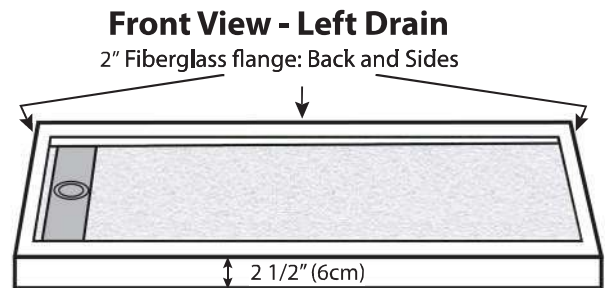
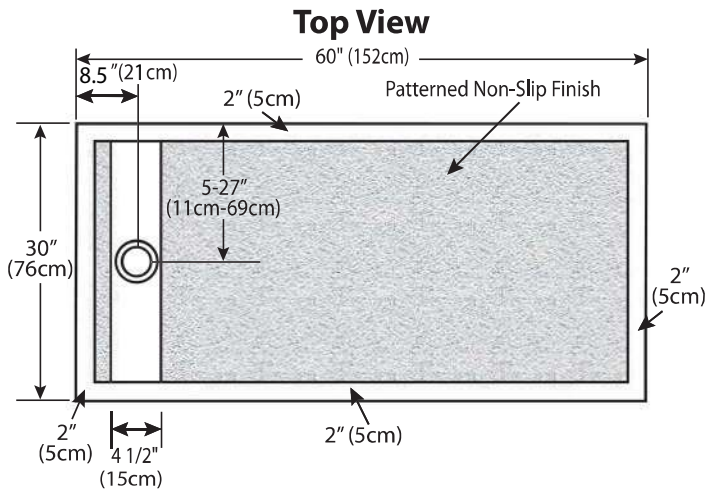




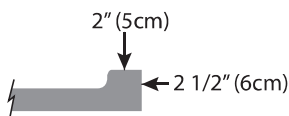
60" x 30"-8.5" Low Profile Trench Drain LH or RH Shower Base SB60x30-LP-8.5TD-XH-LC

Est. Weight: 120 lbs (54 kg) **IMI LiteCast™**

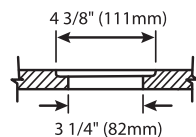
TECHNICAL SPECIFICATIONS



Side View of Curb



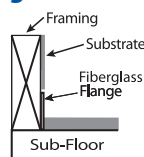
Drain Details: (U.S.)



Drain Cover



Flange Details: (U.S.)



Standard Features:

- Solid one-piece construction
- Pre-leveled - rests on subfloor
- Mold and mildew resistant
- Bacteria resistant
- Textured non-slip finish
- Abrasion resistant gelcoat surface
- Stainless steel trench drain cover

Suggested Drains:



Solvent Weld type fitting similar to Oatey Part No. 42097



Compression type "No-Caulk" fitting similar to Oatey Part No. 42099

Specifications:

- Size: 60" x 30" Size
- Drain Location: Center of drain measures 8" from side of pan
5-27" from backwall
- Flange: Fiberglass
- Trench: 4 1/2" width

Please Note: This shower base can only accommodate our Meter or CODE style Shower Door

Typical CSI Codes: 22 42 23 (Div 22)

Note: Base dimensions vary by +/- 1/8"

Our products comply with one or more of the following: IAPMO, ANSI, HUD, NAHB, NHQ

Revised: 2020.03.18

© 2020 Copyright IMI Intl. Marble Industries, Inc.



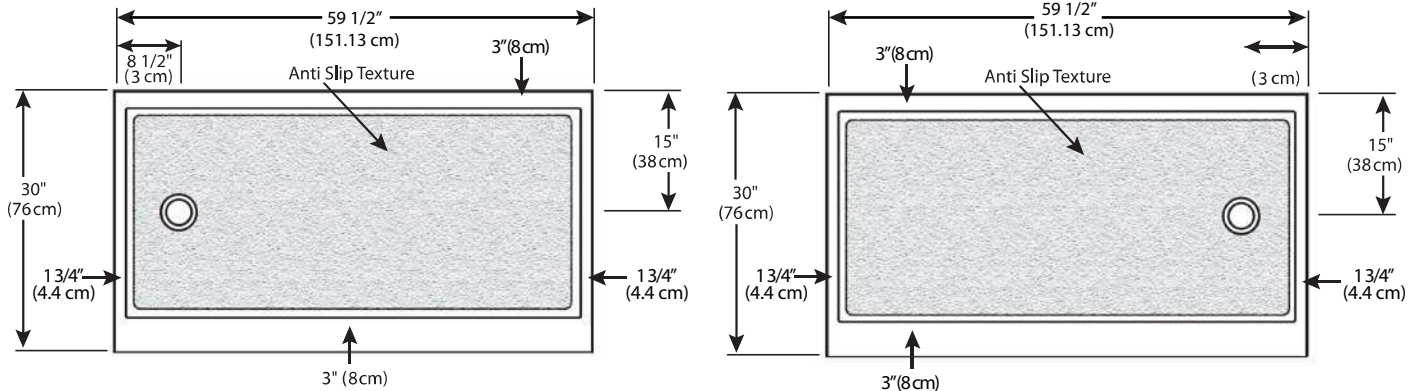


60" x 30" Shower Base with LH or RH Drain

SB60x30-8.5OD-xH-LC

Est. Weight: 140 lbs (64 kg) IMI LiteCast™

TECHNICAL SPECIFICATIONS



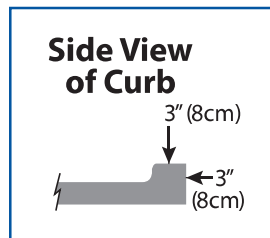
Suggested Drains:



Solvent Weld type fitting similar to Oatey Part No. 42097



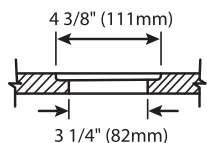
Compression type "No-Caulk" fitting similar to Oatey Part No. 42099



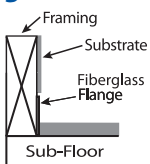
Standard Features:

- Available in Left Hand and Right Hand version
- Designed for tub replacements
- Integral Curb
- 3" (8 cm) Wide thresholds on front
- Solid one-piece construction
- Pre-leveled, rests on subfloor
- Mold and mildew resistant
- Bacteria resistant
- "Grout-free" and non-porous
- Stain resistant and easy to clean
- Waterproof and leakproof
- Fiberglass Flange

Drain Details: (U.S.)



Flange Details: (U.S.)



* Also available in IMI ProCast™

Note: Base dimensions may vary +/- 1/8"

Our products comply with one or more of the following: IAPMO, ANSI, HUD, NAHB, NHQ

Typical CSI Codes: 22 42 23 (Div 22)

Revised: 2020.03.18

© 2020 Copyright IMI Intl. Marble Industries, Inc.





Cast Marble Solutions for Your Showers

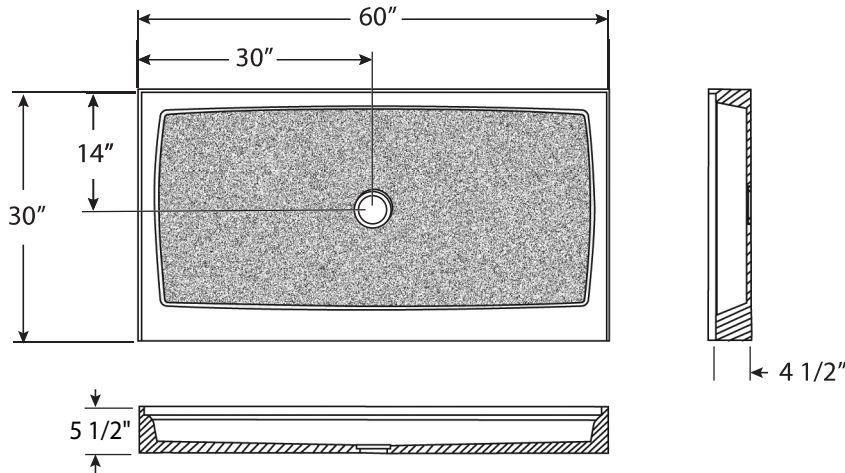


60" x 30" Center Drain Shower Base

Est. Weight: 100 lbs (87 kg) **IMI LiteCast™**

SB60x30-SSB-LC

Technical Specifications
CSI Code 06 61 13 (Div 06)



Standard Features:

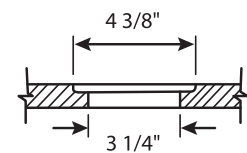
- Solid one-piece construction
- Pre-leveled, rests on subfloor
- Fiberglass Flange
- Mold and mildew resistant
- Bacteria resistant
- Textured non-slip finish
- Abrasion resistant gelcoat surface

Specifications:

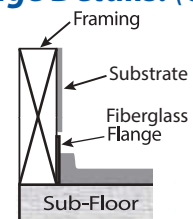
- Size: 60" x 30" Size
- Drain Location: Center of drain measures 14"-30"



Drain Details: (U.S.)



Flange Details: (U.S.)



Note: Base dimensions vary by +/- 1/8"

Our products comply with one or more of the following: IAPMO, ANSI, HUD, NAHB, NHQ

Typical CSI Codes: 22 42 23 (Div 22)

Revised: 2020.03.18

© 2020 Copyright IMI Intl. Marble Industries, Inc.

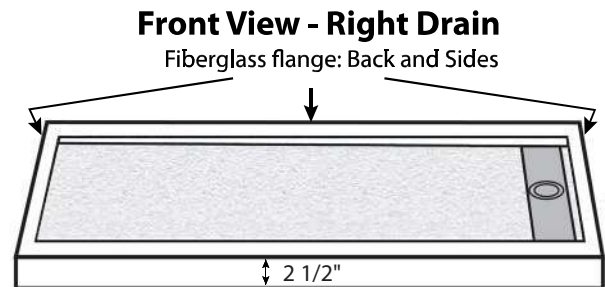
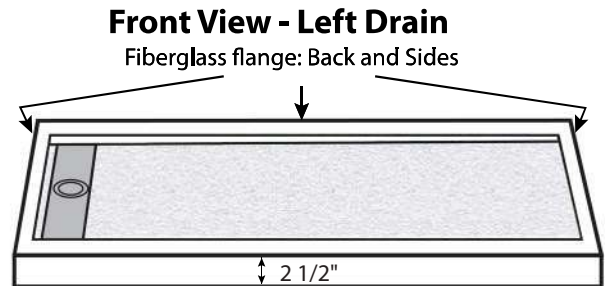
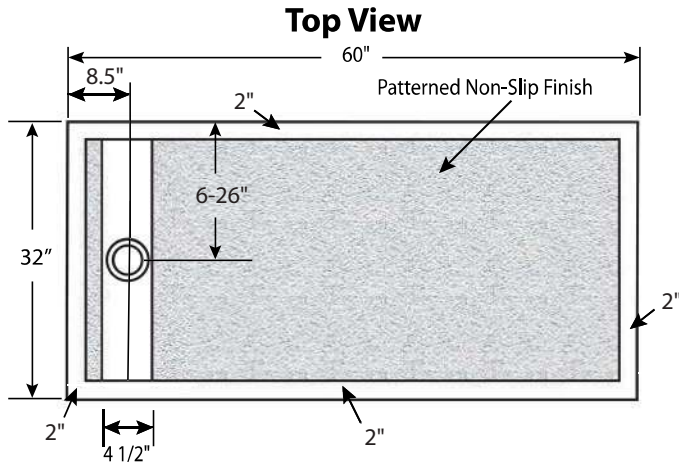




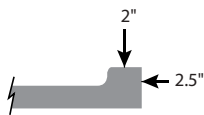
60" x 32" - 8.5" Low Trench Drain LH or RH Shower Base SB60X32-8.5TD-XH-LC

Est. Weight: 120 lbs (54 kg) IMI LiteCast™

TECHNICAL SPECIFICATIONS



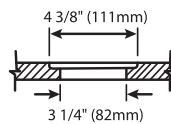
Side View of Curb



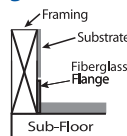
Drain Cover



Drain Details: (U.S.)



Flange Details: (U.S.)



Standard Features:

- Solid one-piece construction
- Pre-leveled - rests on subfloor
- Mold and mildew resistant
- Bacteria resistant
- Textured non-slip finish
- Abrasion resistant gelcoat surface
- Stainless steel trench drain cover

Specifications:

- Size: 60" x 32" Size
- Drain Location: Center of drain measures 8.5" from side of pan 6-26" from backwall
- Flange: Fiberglass
- Trench: 4 1/2" width

Note: Base dimensions may vary +/- 1/8"

Our products comply with one or more of the following: IAPMO, ANSI, HUD, NAHB, NHQ

Typical CSI Codes: 22 42 23 (Div 22)

Revised: 2020.03.18

© 2020 Copyright IMI Intl. Marble Industries, Inc.





60"x 32" LH & RH Rear Corner Offset Shower Base

SB60x32-RCOD-XH-LC

Technical Specifications



Standard Features:

- Solid one-piece construction
- Abrasion resistant gel coat surface
- Extremely sanitary
- Mold or mildew resistant
- Textured non-slip finish
- Pre-leveled - rests on sub floor
- 10 year limited warranty against manufacturing defects

Standards and Ratings:

- ANSI Z124.1.2
- ASTM 1028-06 coefficient of friction test (minimum rating of .67)

Suggested Drains:

- Solvent Weld type fitting similar to Oatey Part No. 42097
- Compression type "No-Caulk" fitting similar to Oatey Part No. 42099

Drain NOT included

Specifications:

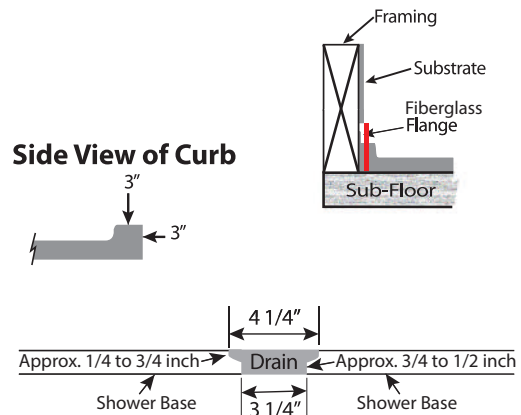
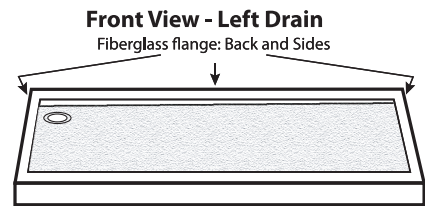
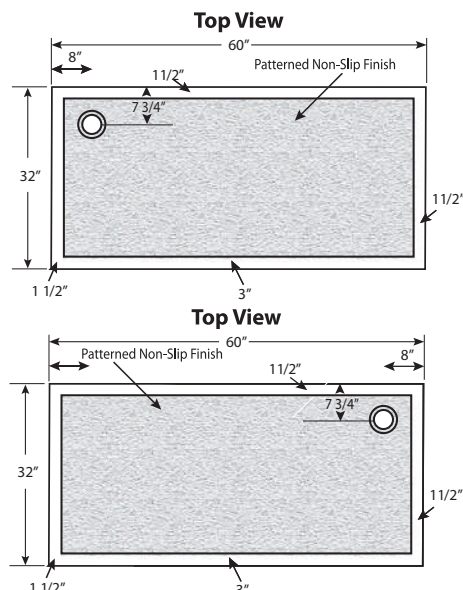
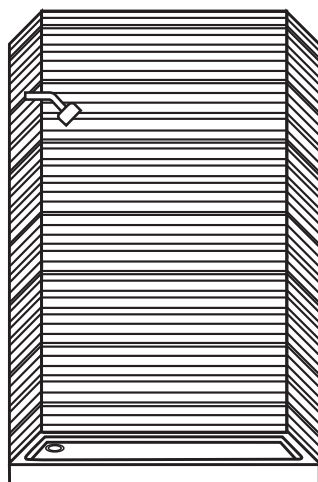
- **Description:** Solid One-Piece Construction Shower Base
- **Standard:** LiteCast
- **Series:** Rectangular Shower Bases
- **Color:** See Toilet and Bath Accessory Matrix for Color
- **Construction:** Cast Marble
- **Drain Location:** See Drawing
- **Curb:** 3" Height
- **Flange:** Fiberglass
- **Weight:** +/- 155 lbs.

Dimensions:

- **Size:** 60"x32"
- **Curb:** 3"w x 3"h - Integral
- **Drain Location:** 8" from wet wall, 7 3/4" from back wall
- **Flange:** Fiberglass, attached at Factory
- **Weight:** +/- 155 lbs.

Specified Panel System:

WS-CS-IP: Interval Panel System



Typical CSI Codes: 22 42 23 (Div 22)

Revised: 2020.03.18

© 2020 Copyright IMI Intl. Marble Industries, Inc.

Note: Base dimensions vary +/- 1/8"





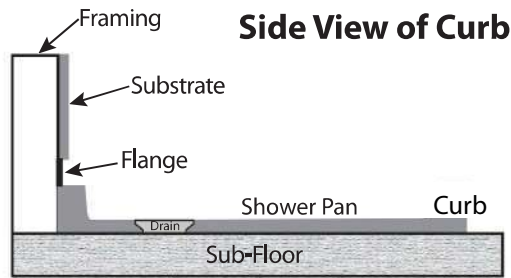
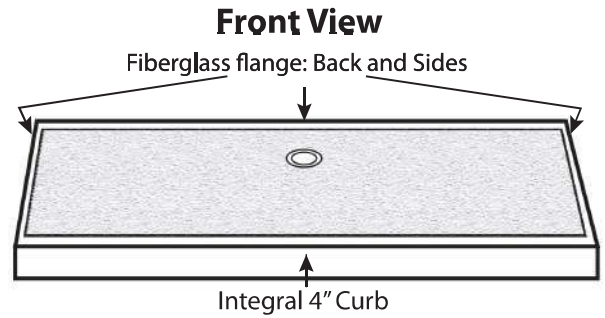
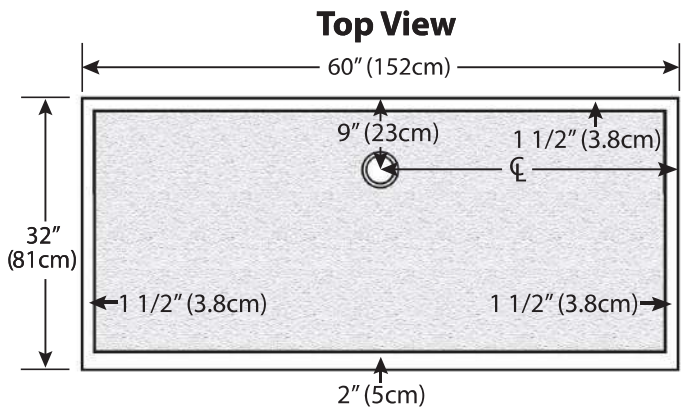
Cast Marble Solutions for Your Showers



60"x32" Shower Base with Center Rear Off-Set Drain SB60x32-CROSD-LC

Est. Weight: 132 lbs (59 kg) IMI LiteCast™

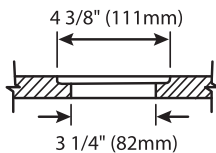
TECHNICAL SPECIFICATIONS



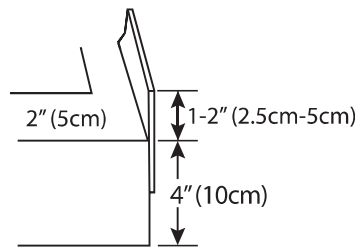
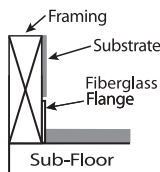
Standard Features:

- Solid one-piece construction
- Pre-leveled - rests on subfloor
- Mold and mildew resistant
- Bacteria resistant
- Textured non-slip finish
- Abrasion resistant gel coat surface
- Seamless
- Rear Off-Set Center Drain
- Integral Curbs
- 2" (5cm) front curb width
- 4" (10cm) front curb height

Drain Details: (U.S.)



Flange Details: (U.S.)



Specifications:

- Size: 60" x 32" Size
- Drain Location: Rear off-set center of drain measures 9" (23cm) from backwall or pan
- Flange: Fiberglass

Suggested Drains:

- Solvent Weld type fitting similar to Oatey Part No. 42097
- Compression type "No-Caulk" fitting similar to Oatey Part No. 42099

Note: Drain not included

Typical CSI Codes: 22 42 23 (Div 22)

Note: Base dimensions may vary +/- 1/8" Our products comply with one or more of the following: IAPMO, ANSI, HUD, NAHB, NHQ

Revised: 2020.03.18 © 2020 Copyright IMI Intl. Marble Industries, Inc.



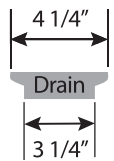
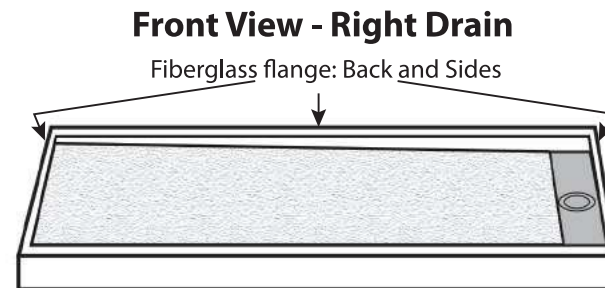
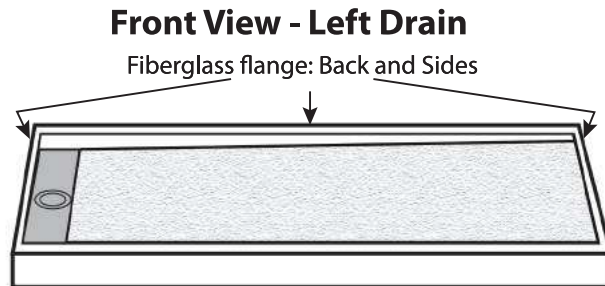
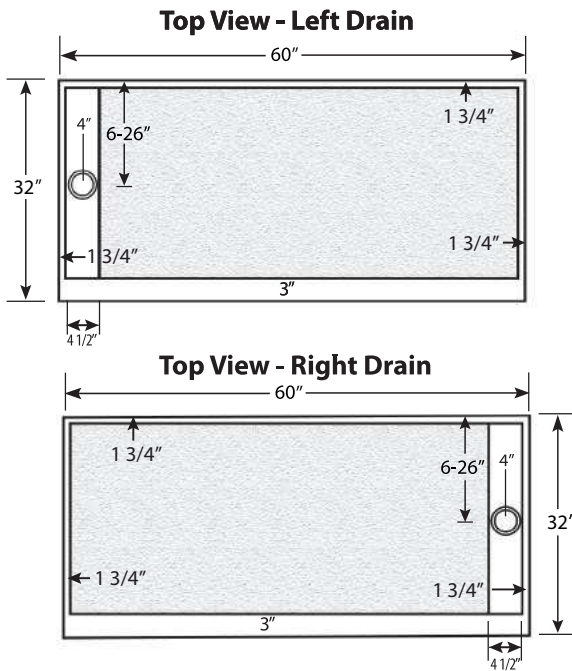


60" x 32" - 4" Trench Drain LH or RH Shower Base

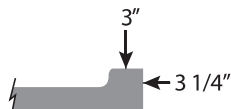
SB60x32-4TD-XH-LC

Est. Weight: 165lbs (74kg) IMI LiteCast™

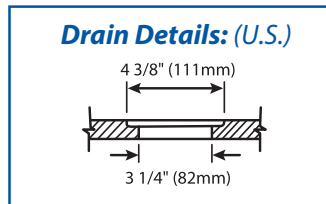
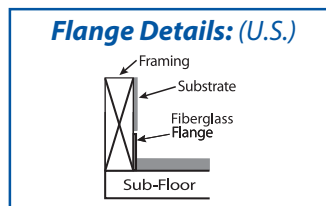
TECHNICAL SPECIFICATIONS



Side View of Curb



Drain Cover



Standard Features:

- Solid one-piece construction
- Pre-leveled - rests on subfloor
- Mold and mildew resistant
- Bacteria resistant
- Textured non-slip finish
- Abrasion resistant gelcoat surface
- Stainless steel trench drain cover

Specifications:

- Size: 60" x 32" Size
- Drain Location: Center of drain measures 4" from side of pan 6-26" from backwall
- Flange: Fiberglass
- Trench: 4 1/2" width

* Also available in IMI ProCast™

Note: Base dimensions may vary +/- 1/8"

Our products comply with one or more of the following: IAPMO, ANSI, HUD, NAHB, NHQ

Typical CSI Codes: 22 42 23 (Div 22)

Revised: 2020.03.18

© 2020 Copyright IMI Intl. Marble Industries, Inc.



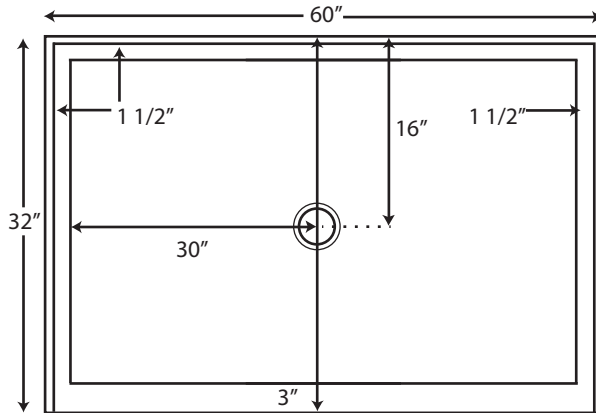


60" x 32" Shower Base w/Center Drain

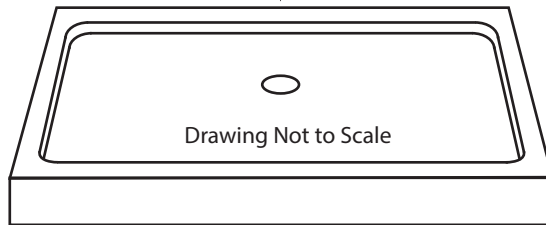
SB60x32-SSB-LC

IMI LiteCast™

TECHNICAL SPECIFICATIONS



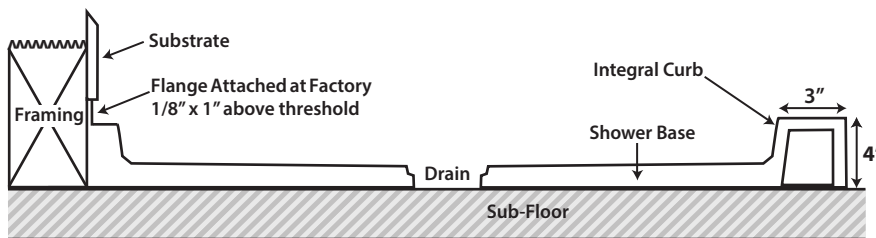
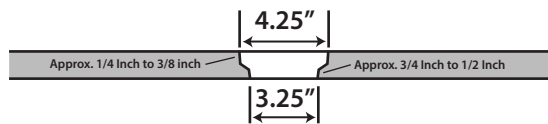
Flange Attached at Factory



Drawing Not to Scale

Integral 4" Curb

Drain Detail:



Drain not included. Finished product dimensions may vary +/- 1/8" from drawing.

Specifications:

- Size: 60" x 32"
- Drain: Center
- Drain Opening: 3.25" Hole Width
- Curb: Integral - 3" x 4" High
- Flange: Fiberglass, attached at factory
- Solid One-Piece Construction
- Pre-Leveled, Rests on Subfloor
- Mold and Mildew Resistant
- Bacteria Resistant
- "Grout-Free" and Non-Porous
- Stain Resistant and Easy to Clean
- Water Proof and Leak Proof

Standards & Ratings:

- ANSI Z124.1.2
- 2005 Tested by NAHB
- ASTM 1028-96
- Coefficient of friction test (minimum rating of .67)

Suggested Drains:

- ANSI Z124.1.2
- 2005 Tested by NAHB
- ASTM 1028-96
- Coefficient of friction test (minimum rating of .67)

NOTE: Base dimensions may vary +/- 1/8"

Our products comply with one or more of the following: IAPMO, ANSI, HUD, NAHB, NHQ

Typical CSI Codes: 22 42 23 (Div 22)

Revised: 2020.03.18

© 2020 Copyright IMI Intl. Marble Industries, Inc.





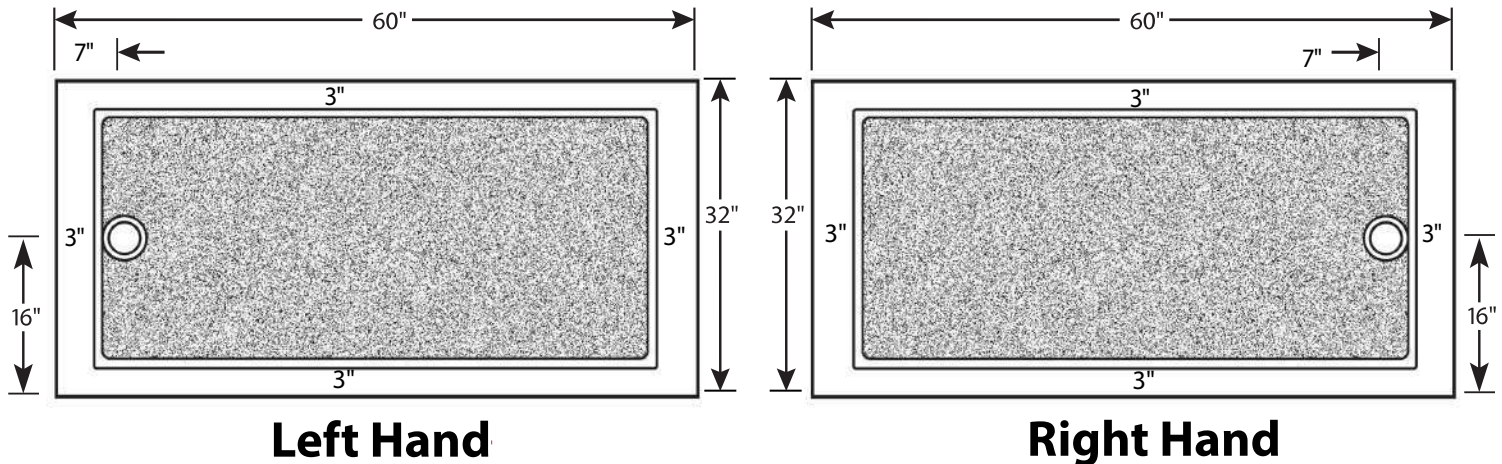
Cast Marble Solutions for Your Showers



60" x 32" Standard Shower Base with RH or LH Drain SB60x32-7SSB-xH-LC

Est. Weight: 153 lbs (69 kg) IMI LiteCast™

TECHNICAL SPECIFICATIONS



Suggested Drains:



Solvent Weld type fitting similar to Oatey Part No. 42097



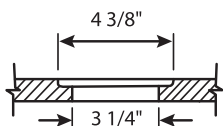
Compression type "No-Caulk" fitting similar to Oatey Part No. 42099



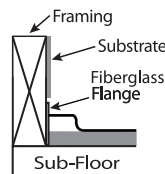
Standard Features:

- Available in Left Hand and Right Hand version
- Designed for tub replacements
- 3 strips of fiberglass included for install
- 3" (8 cm) Wide thresholds on each side – back wall area can be trimmed to fit a 30" deep cavity
- Solid one-piece construction
- Pre-leveled, rests on subfloor
- Mold and mildew resistant
- Bacteria resistant
- "Grout-free" and non-porous
- Stain resistant and easy to clean
- Waterproof and leakproof

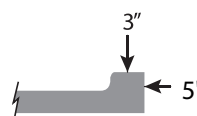
Drain Details: (U.S.)



Flange Details: (U.S.)



Side View of Curb



Note: Base dimensions may vary +/- 1/8"

Our products comply with one or more of the following: IAPMO, ANSI, HUD, NAHB, NHQ

Typical CSI Codes: 22 42 23 (Div 22)

Revised: 2020.03.18

© 2020 Copyright IMI Intl. Marble Industries, Inc.





Cast Marble Solutions for Your Showers

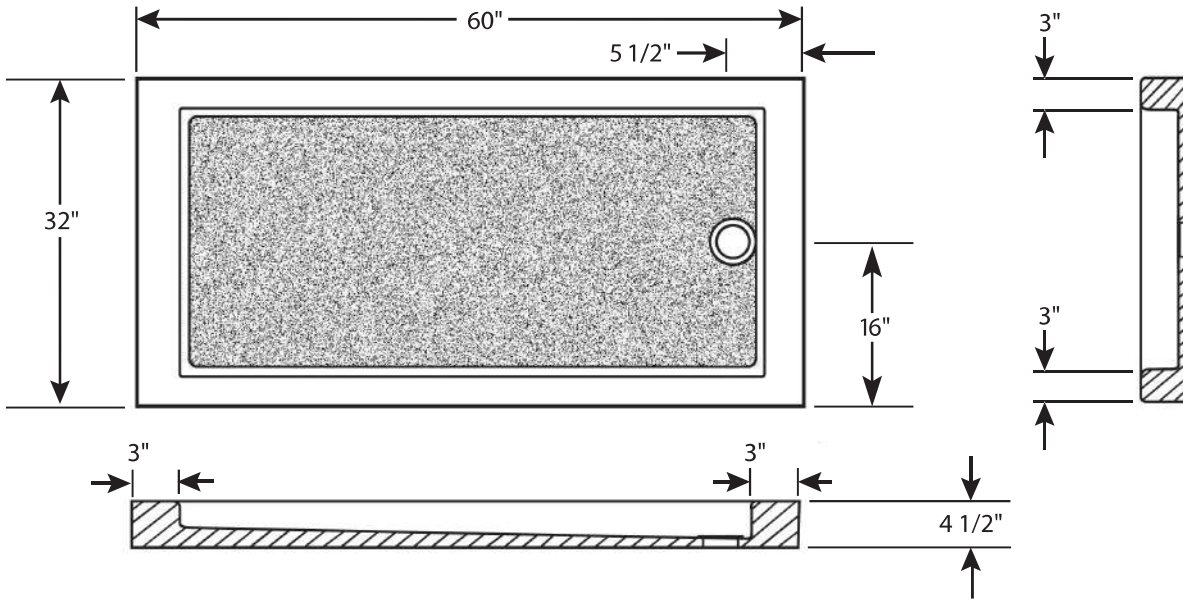


60" x 32" - 5 1/2" Shower Base with RH or LH Drain

Est. Weight: 153 lbs (69 kg) IMI LiteCast™

SB60x32-5.5SSB-xH-LC

TECHNICAL SPECIFICATIONS



Suggested Drains:



Solvent Weld type fitting similar to Oatey Part No. 42097



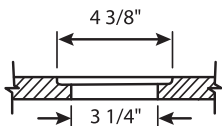
Compression type "No-Caulk" fitting similar to Oatey Part No. 42099



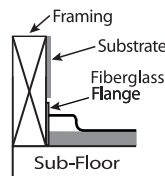
Standard Features:

- Available in Left Hand and Right Hand version
- Designed for tub replacements
- 3 strips of fiberglass included for install
- 3" (8 cm) Wide thresholds on each side – back wall area can be trimmed to fit a 30" deep cavity
- Solid one-piece construction
- Pre-leveled, rests on subfloor
- Mold and mildew resistant
- Bacteria resistant
- "Grout-free" and non-porous
- Stain resistant and easy to clean
- Waterproof and leakproof

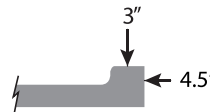
Drain Details: (U.S.)



Flange Details: (U.S.)



Side View of Curb



Note: Base dimensions may vary +/- 1/8"

Our products comply with one or more of the following: IAPMO, ANSI, HUD, NAHB, NHQ

Typical CSI Codes: 22 42 23 (Div 22)

Revised: 2020.03.18

© 2020 Copyright IMI Intl. Marble Industries, Inc.



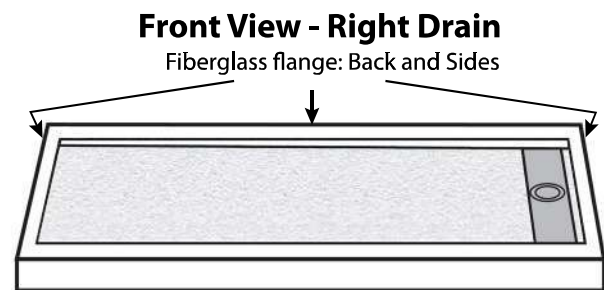
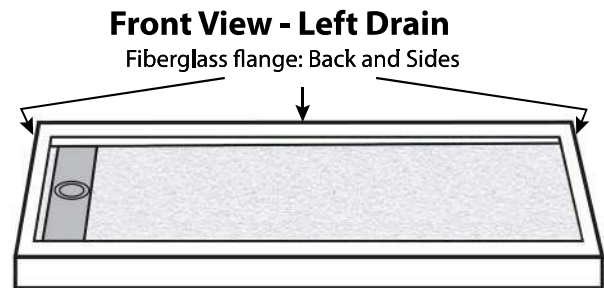
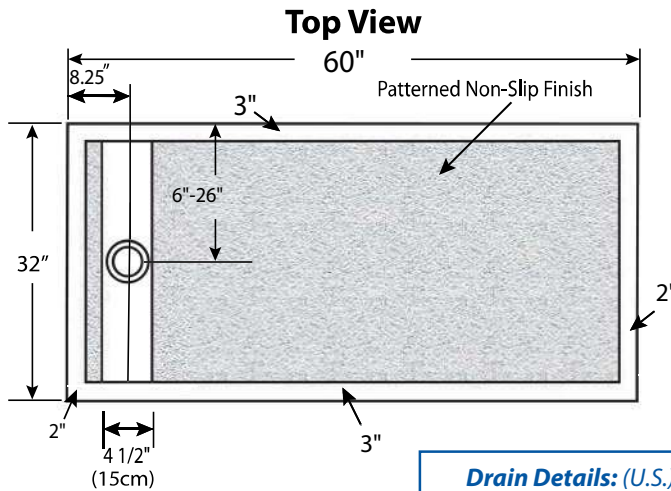


60" x 32" - 8.25" Trench Drain LH or RH Shower Base

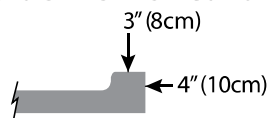
SB60x32-8.25TD-xH-LC

Est. Weight: 160 lbs (72 kg) IMI LiteCast™

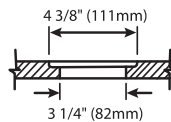
TECHNICAL SPECIFICATIONS



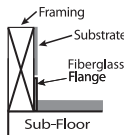
Side View of Curb



Drain Details: (U.S.)



Flange Details: (U.S.)



Drain Cover



Standard Features:

- Solid one-piece construction
- Pre-leveled - rests on subfloor
- Mold and mildew resistant
- Bacteria resistant
- Textured non-slip finish
- Abrasion resistant gelcoat surface
- Stainless steel trench drain cover

Specifications:

- Size: 60" x 32" Size
- Drain Location: Center of drain measures 8.25" from side of pan 6"-26" from the Back Wall
- Flange: Fiberglass
- Trench: 4 1/2" width

Note: Base dimensions may vary +/- 1/8"

Our products comply with one or more of the following: IAPMO, ANSI, HUD, NAHB, NHQ

Typical CSI Codes: 22 42 23 (Div 22)

Revised: 2020.03.18

© 2020 Copyright IMI Intl. Marble Industries, Inc.

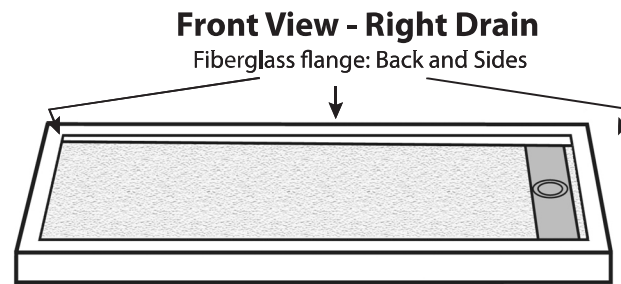
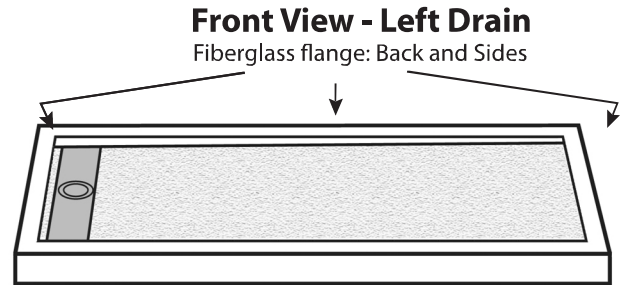
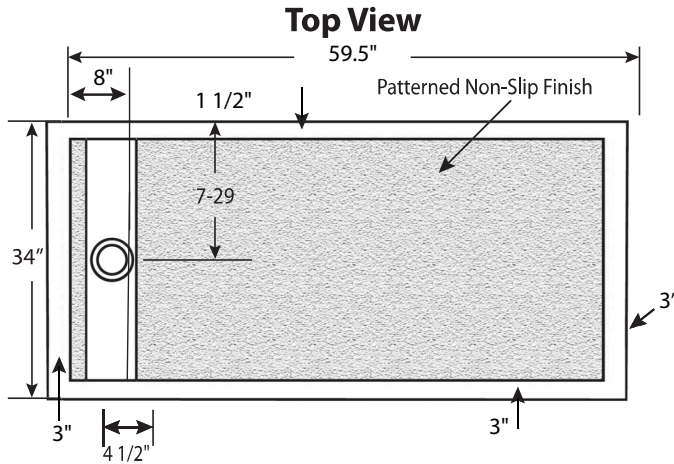




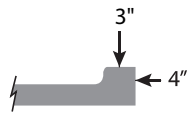
60" x 34"- 8" Trench Drain LH or RH Shower Base SB60x34-8TD-xH-LC

Est. Weight: 160 lbs (72 kg) IMI LiteCast™

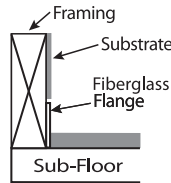
TECHNICAL SPECIFICATIONS



Side View of Curb



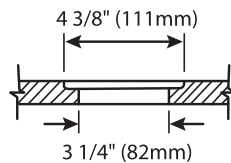
Flange Details: (U.S.)



Drain Cover



Drain Details: (U.S.)



Standard Features:

- Solid one-piece construction
- Pre-leveled - rests on subfloor
- Mold and mildew resistant
- Bacteria resistant
- Textured non-slip finish
- Abrasion resistant gelcoat surface
- Stainless steel trench drain cover

Specifications:

- Size: 60" x 34" Size
- Drain Location: Center of drain measures 8" from side of pan
7-29" from backwall
- Flange: Fiberglass
- Trench: 4 1/2" width

Suggested Drains:

- Solvent Weld type fitting similar to Oatey Part No. 42097
- Compression type "No-Caulk" fitting similar to Oatey Part No. 42099

Typical CSI Codes: 22 42 23 (Div 22)

Note: Base dimensions may vary +/- 1/8"
Our products comply with one or more of the following: IAPMO, ANSI, HUD, NAHB, NHQ

Revised: 2020.03.18
© 2020 Copyright IMI Intl. Marble Industries, Inc.

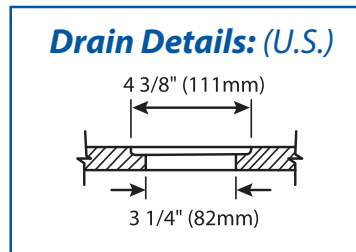
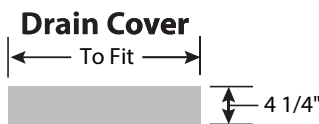
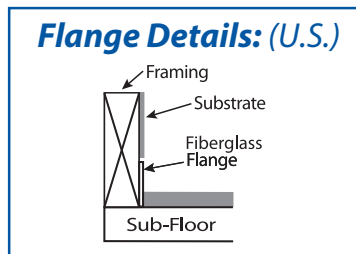
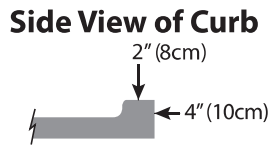
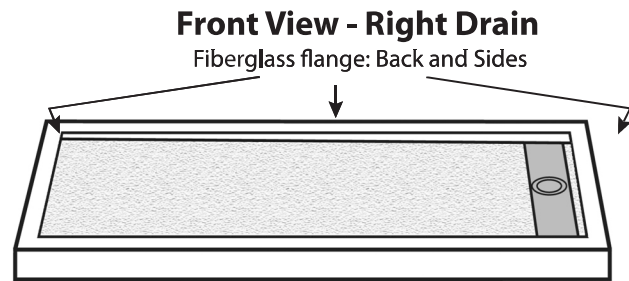
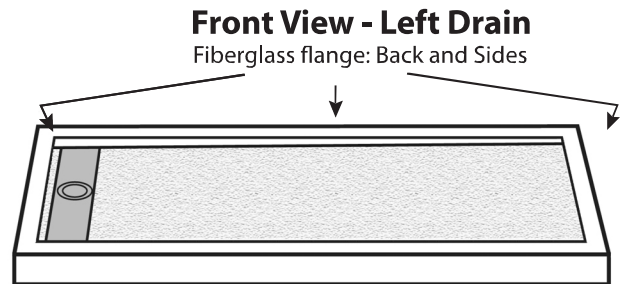
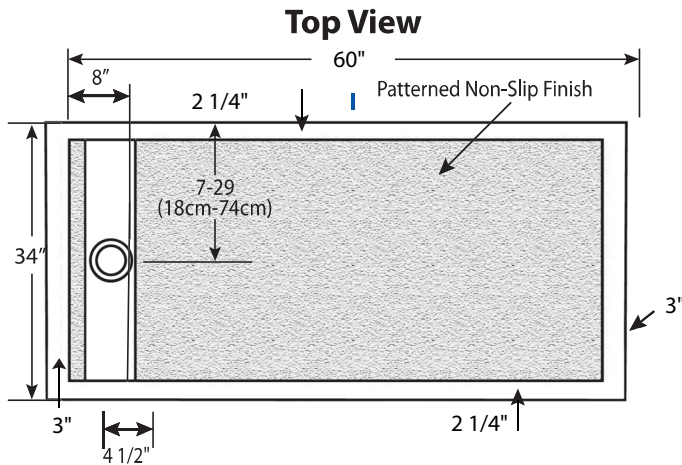




60" x 34"-8" Trench Drain LH or RH Shower Base SB-60x34-8TD-XH-LC

Est. Weight: 160 lbs (72 kg) IMI LiteCast™

TECHNICAL SPECIFICATIONS



Standard Features:

- Solid one-piece construction
- Pre-leveled - rests on subfloor
- Mold and mildew resistant
- Bacteria resistant
- Textured non-slip finish
- Abrasion resistant gelcoat surface
- Stainless steel trench drain cover

Specifications:

- Size: 60" x 34" Size
- Drain Location: Center of drain measures 8" from side of pan 7-29" from backwall
- Flange: Fiberglass
- Trench: 4 1/2" width

Note: pan dimensions vary +/- 1/8"

Suggested Drains:

- Solvent Weld type fitting similar to Oatey Part No. 42097
- Compression type "No-Caulk" fitting similar to Oatey Part No. 42099

Note: Base dimensions may vary +/- 1/8"

Our products comply with one or more of the following: IAPMO, ANSI, HUD, NAHB, NHQ

Typical CSI Codes: 22 42 23 (Div 22)

Revised: 2020.03.18

© 2020 Copyright IMI Intl. Marble Industries, Inc.



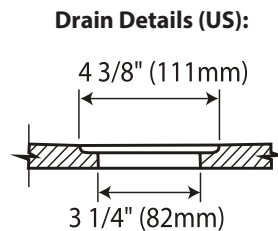
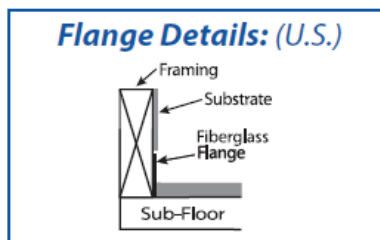
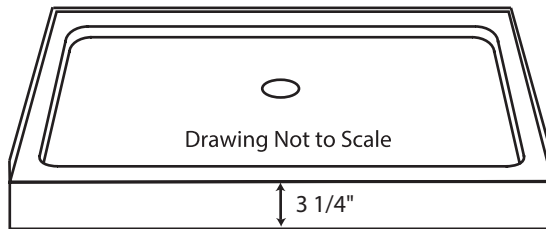
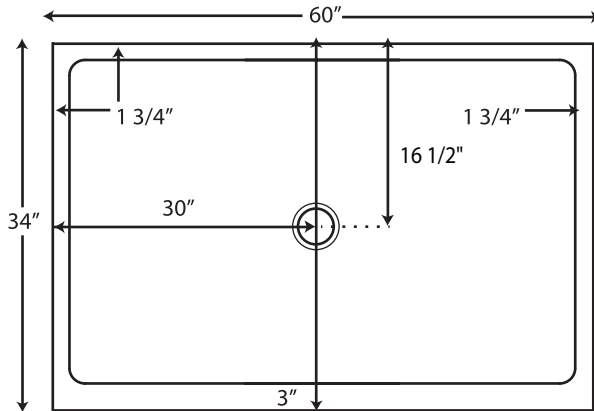


60" x 34" Shower Base w/Center Drain

SB60x34-SSB-LC

Est. Weight: TBD IMI LiteCast™

TECHNICAL SPECIFICATIONS



Specifications:

- Size: 60" x 34"
- Drain: Center
- Drain Opening: 3.25" Hole Width
- Curb Height: 3 1/4"
- Flange: Fiberglass
- Solid One-Piece Construction
- Pre-Leveled, Rests on Subfloor
- Mold and Mildew Resistant
- Bacteria Resistant
- "Grout-Free" and Non-Porous
- Stain Resistant and Easy to Clean
- Water Proof and Leak Proof

Standards & Ratings:

ANSI Z124.1.2
 - 2005 Tested by NAHB
 ASTM 1028-96
 - Coe°cient of friction test (minimum rating of .67)

Suggested Drains:

ANSI Z124.1.2
 - 2005 Tested by NAHB
 ASTM 1028-96
 - Coe°cient of friction test (minimum rating of .67)

NOTE: Base dimensions may vary +/- 1/8"

Our products comply with one or more of the following: IAPMO, ANSI, HUD, NAHB, NHQ

Typical CSI Codes: 22 42 23 (Div 22)

Revised: 2020.03.18

© 2020 Copyright IMI Intl. Marble Industries, Inc.





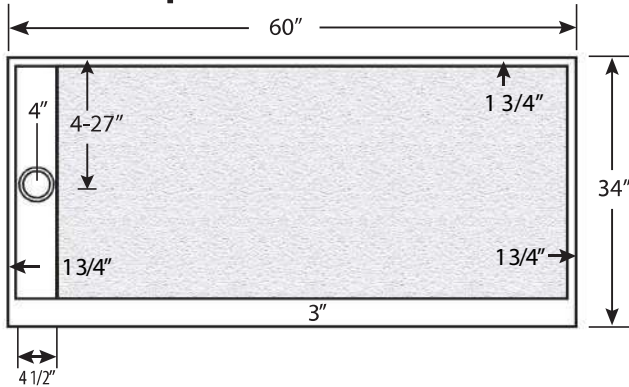
60" x 34" - 4" Trench Drain LH or RH Shower Base

SB60x34-4TD-xH-LC

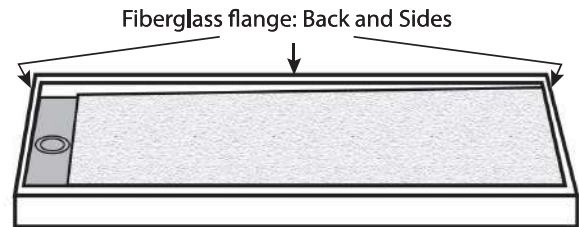
Est. Weight: ~114 lbs (52 kg) IMI LiteCast™

TECHNICAL SPECIFICATIONS

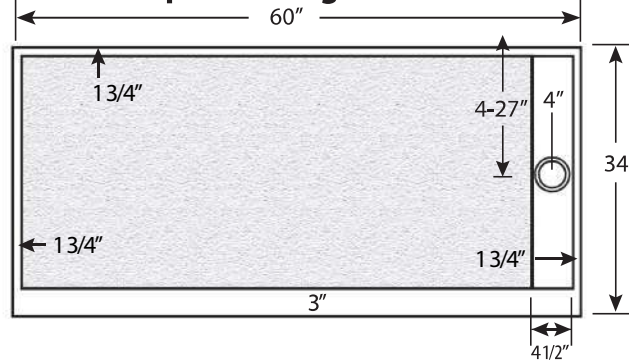
Top View - Left Drain



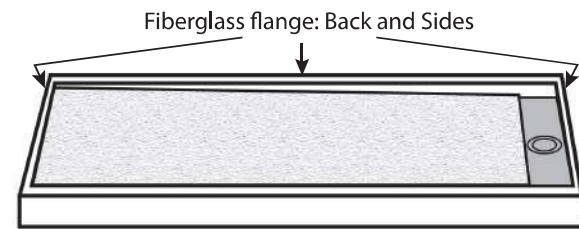
Front View - Left Drain



Top View - Right Drain



Front View - Right Drain



Standard Features:

- Solid one-piece construction
- Pre-leveled - rests on subfloor
- Mold and mildew resistant
- Bacteria resistant
- Textured non-slip finish
- Abrasion resistant gel coat surface
- Stainless steel trench drain cover

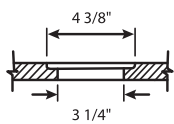
Specifications:

- Size: 60" x 34" Size
- Drain Location: Center of drain measures 4" from side of pan 4-27" from backwall
- Flange: Fiberglass
- Trench: 4 1/2" width

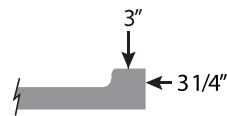
Suggested Drains:

- Solvent Weld type fitting similar to Oatey Part No. 42097
- Compression type "No-Caulk" fitting similar to Oatey Part No. 42099

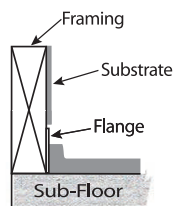
Drain Details: (U.S.)



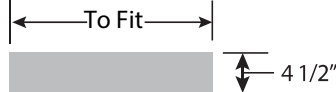
Side View of Curb



FLANGE DETAILS (US):



Drain Cover



Note: Base dimensions may vary +/- 1/8"

* Also available in IMI ProCast™

Our products comply with one or more of the following: IAPMO, ANSI, HUD, NAHB, NHQ

Typical CSI Codes: 22 42 23 (Div 22)

Revised: 2020.03.18

© 2020 Copyright IMI Intl. Marble Industries, Inc.





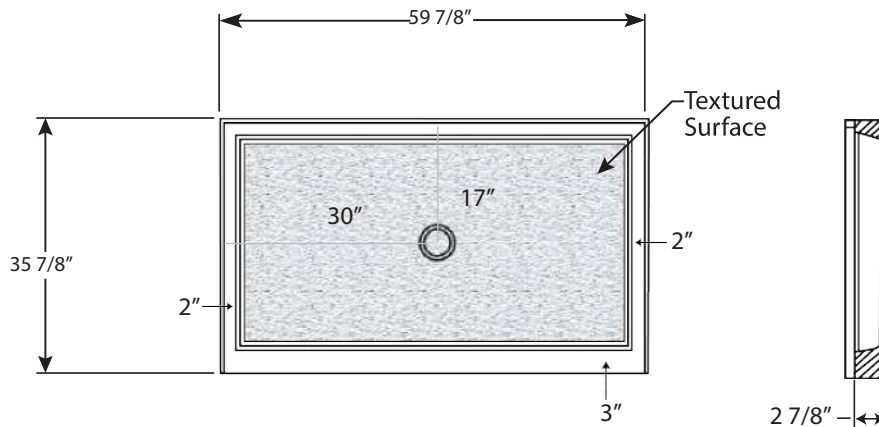
Cast Marble Solutions for Your Showers



60" x 36" Center Drain Shower Base

SB60x36-SSB-LC

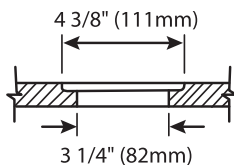
Est. Weight: 160 lbs (72.5 kg) IMI LiteCast™



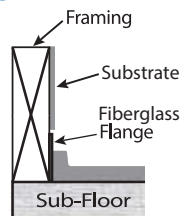
Standard Features:

- 3" Wide Threshold
- Solid one-piece construction
- Pre-leveled, rests on subfloor
- Mold and mildew resistant
- Bacteria resistant
- "Grout-free" and non-porous
- Stain resistant and easy to clean
- Waterproof and leakproof

Drain Details: (U.S.)



Flange Details: (U.S.)



Suggested Drains:



Solvent Weld type fitting similar to Oatey Part No. 42097



Compression type "No-Caulk" fitting similar to Oatey Part No. 42099

Note: Base dimensions may vary +/- 1/8"

Our products comply with one or more of the following: IAPMO, ANSI, HUD, NAHB, NHQ

Typical CSI Codes: 22 42 23 (Div 22)

Revised: 2020.03.18

© 2020 Copyright IMI Intl. Marble Industries, Inc.



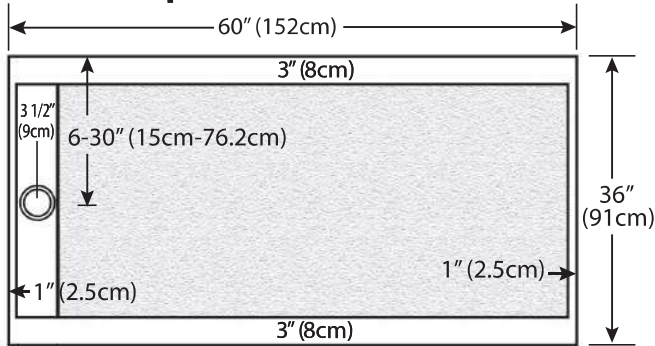


60" x 36" 3 1/2" Trench Drain LH or RH Shower Base SB60x36-3.5TD-xH-LC

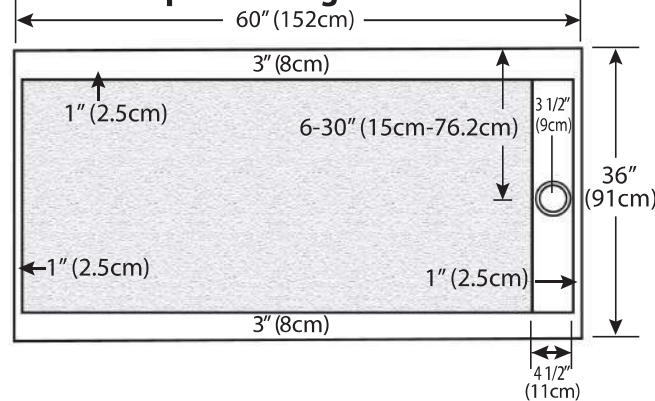
Est. Weight: ~160 lbs (72.5 kg) IMI LiteCast™

TECHNICAL SPECIFICATIONS

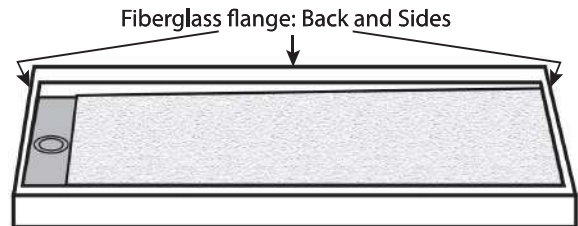
Top View - Left Drain



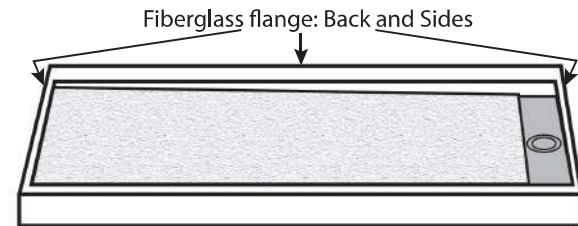
Top View - Right Drain



Front View - Left Drain



Front View - Right Drain



Standard Features:

- Solid one-piece construction
- Pre-leveled - rests on subfloor
- Mold and mildew resistant
- Bacteria resistant
- Textured non-slip finish
- Abrasion resistant gel coat surface
- Stainless steel trench drain cover

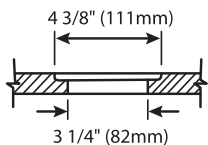
Specifications:

- Size: 60" x 36" Size
- Drain Location: Center of drain measures 3 1/2" from side of pan 6-30" from back wall
- Flange: Fiberglass
- Trench: 4 1/2" width

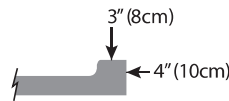
Suggested Drains:

- Solvent Weld type fitting similar to Oatey Part No. 42097
- Compression type "No-Caulk" fitting similar to Oatey Part No. 42099

Drain Details: (U.S.)



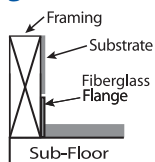
Side View of Curb



Drain Cover



Flange Details: (U.S.)



Note: Base dimensions may vary +/- 1/8"

Our products comply with one or more of the following: IAPMO, ANSI, HUD, NAHB, NHQ

Typical CSI Codes: 22 42 23 (Div 22)

Revised: 2020.03.18

© 2020 Copyright IMI Intl. Marble Industries, Inc.





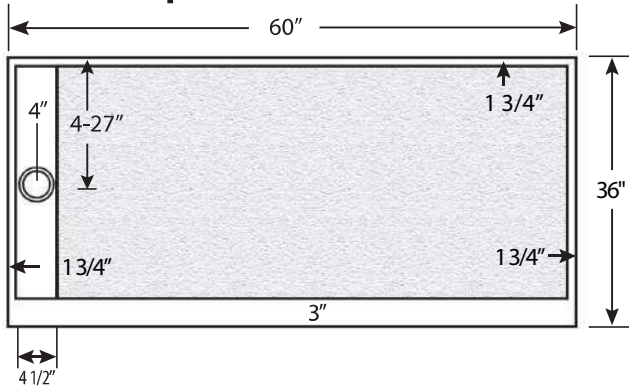
60" x 36" - 4" Trench Drain LH or RH Shower Base

SB-60x36-4TD-xH-LC

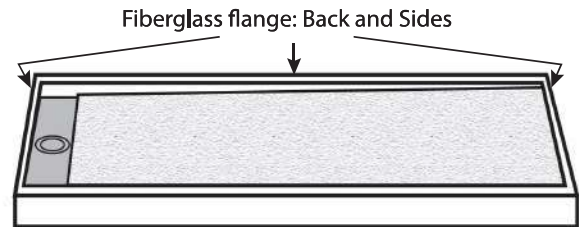
Est. Weight: ~114 lbs (52 kg) IMI LiteCast™

TECHNICAL SPECIFICATIONS

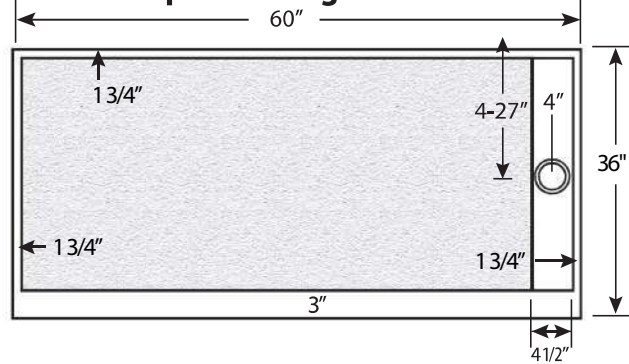
Top View - Left Drain



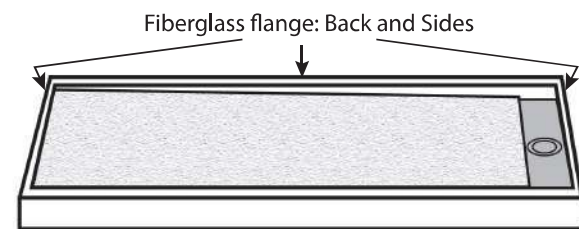
Front View - Left Drain



Top View - Right Drain



Front View - Right Drain



Standard Features:

- Solid one-piece construction
- Pre-leveled - rests on subfloor
- Mold and mildew resistant
- Bacteria resistant
- Textured non-slip finish
- Abrasion resistant gel coat surface
- Stainless steel trench drain cover

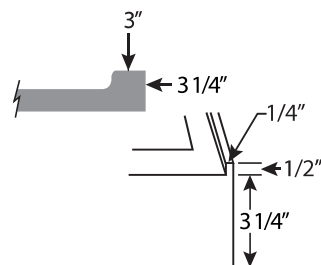
Specifications:

- Size: 60"x36" Size
- Drain Location: Center of drain measures 4" from side of pan 4-27" from backwall
- Flange: Fiberglass
- Trench: 4 1/2" width

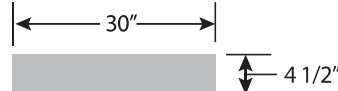
Suggested Drains:

- Solvent Weld type fitting similar to Oatey Part No. 42097
- Compression type "No-Caulk" fitting similar to Oatey Part No. 42099

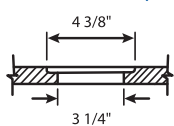
Side View of Curb



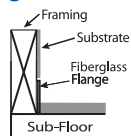
Drain Cover



Drain Details: (U.S.)



Flange Details: (U.S.)



Note: Base dimensions may vary +/- 1/8"

Our products comply with one or more of the following: IAPMO, ANSI, HUD, NAHB, NHQ

Typical CSI Codes: 22 42 23 (Div 22)

Revised: 2020.03.18

© 2020 Copyright IMI Intl. Marble Industries, Inc.



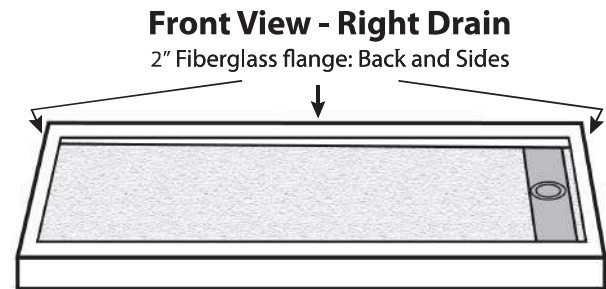
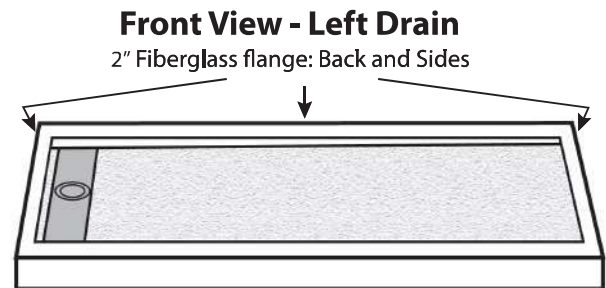
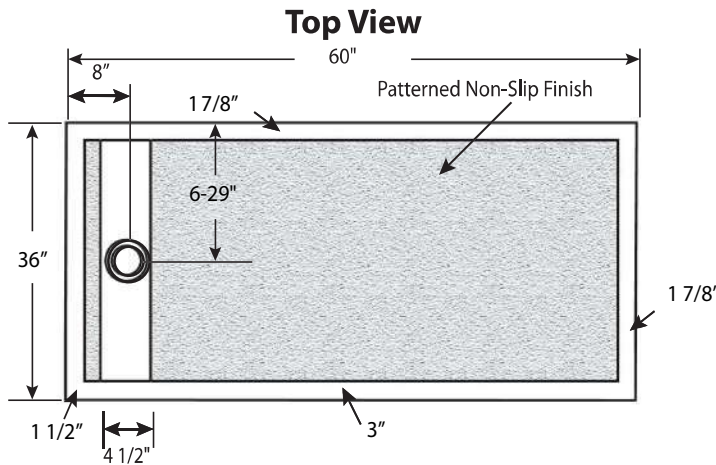


60" x 36"-8" Trench Drain LH or RH Shower Base

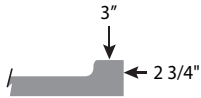
SB60x36-8TD-xH-LC

Est. Weight: 170 lbs. (31.7kg) IMI LiteCast™

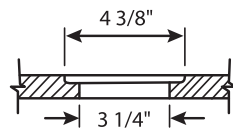
TECHNICAL SPECIFICATIONS



Side View of Curb



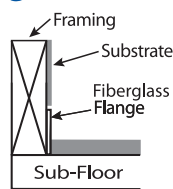
Drain Details: (U.S.)



Drain Cover



Flange Details: (U.S.)



Standard Features:

- Solid one-piece construction
- Pre-leveled - rests on subfloor
- Mold and mildew resistant
- Bacteria resistant
- Textured non-slip finish
- Abrasion resistant gelcoat surface
- Stainless steel trench drain cover

Suggested Drains:

- Solvent Weld type fitting similar to Oatey Part No. 42097
- Compression type "No-Caulk" fitting similar to Oatey Part No. 42099

Specifications:

- Size: 60" x 36" Size
- Drain Location: Center of drain measures 8" from side of pan, 6-29" from backwall
- Flange: Fiberglass
- Trench: 4 1/2" width

Note: Base dimensions may vary +/- 1/8"

Typical CSI Codes: 22 42 23 (Div 22)

Our products comply with one or more of the following: IAPMO, ANSI, HUD, NAHB, NHQ

Revised: 2020.03.18

© 2020 Copyright IMI Intl. Marble Industries, Inc.





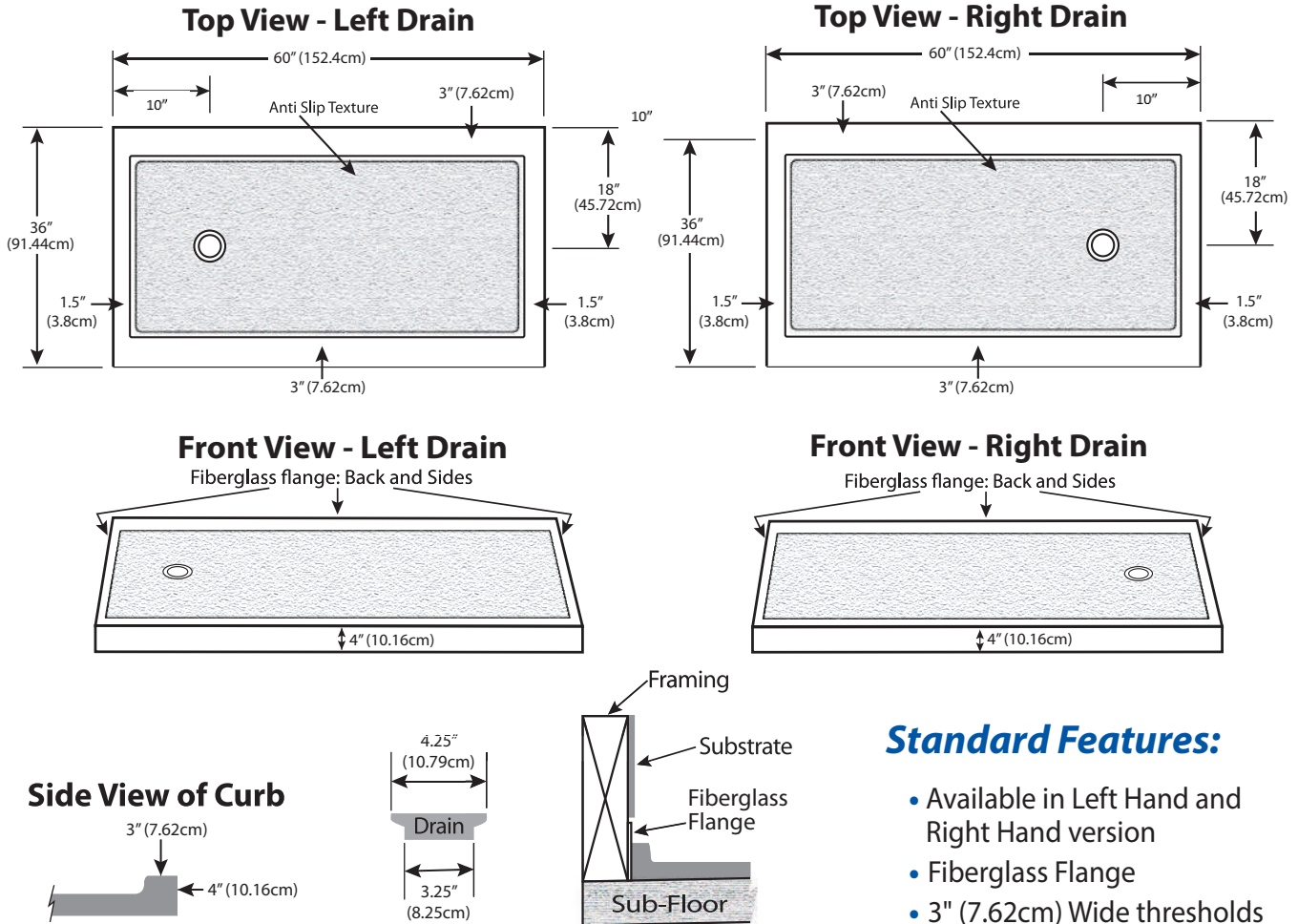
Cast Marble Solutions for Your Showers



60" x 36" Standard Offset LH & RH Shower Base SB60x36-10OD-xH-LC

Estimated Wt. 170 lbs (77kg) IMI LiteCast™

Technical Specifications



Suggested Drains:



Solvent Weld type fitting similar to Oatey Part No. 42097



Compression type "No-Caulk" fitting similar to Oatey Part No. 42099



Standard Features:

- Available in Left Hand and Right Hand version
- Fiberglass Flange
- 3" (7.62cm) Wide thresholds on front
- Solid one-piece construction
- Pre-leveled, rests on subfloor
- Mold and mildew resistant
- Bacteria resistant
- "Grout-free" and non-porous
- Stain resistant and easy to clean
- Waterproof and leakproof

* Also available in IMI ProCast™

Our products comply with one or more of the following: IAPMO, ANSI, HUD, NAHB, NHQ

Typical CSI Codes: 22 42 23 (Div 22)

Revised: 2020.03.18

© 2020 Copyright IMI Intl. Marble Industries, Inc.



INTERNATIONAL MARBLE INDUSTRIES, INC.

304 Bell Park Drive | Woodstock, GA 30188

770.928.2252

www.IMItoday.com



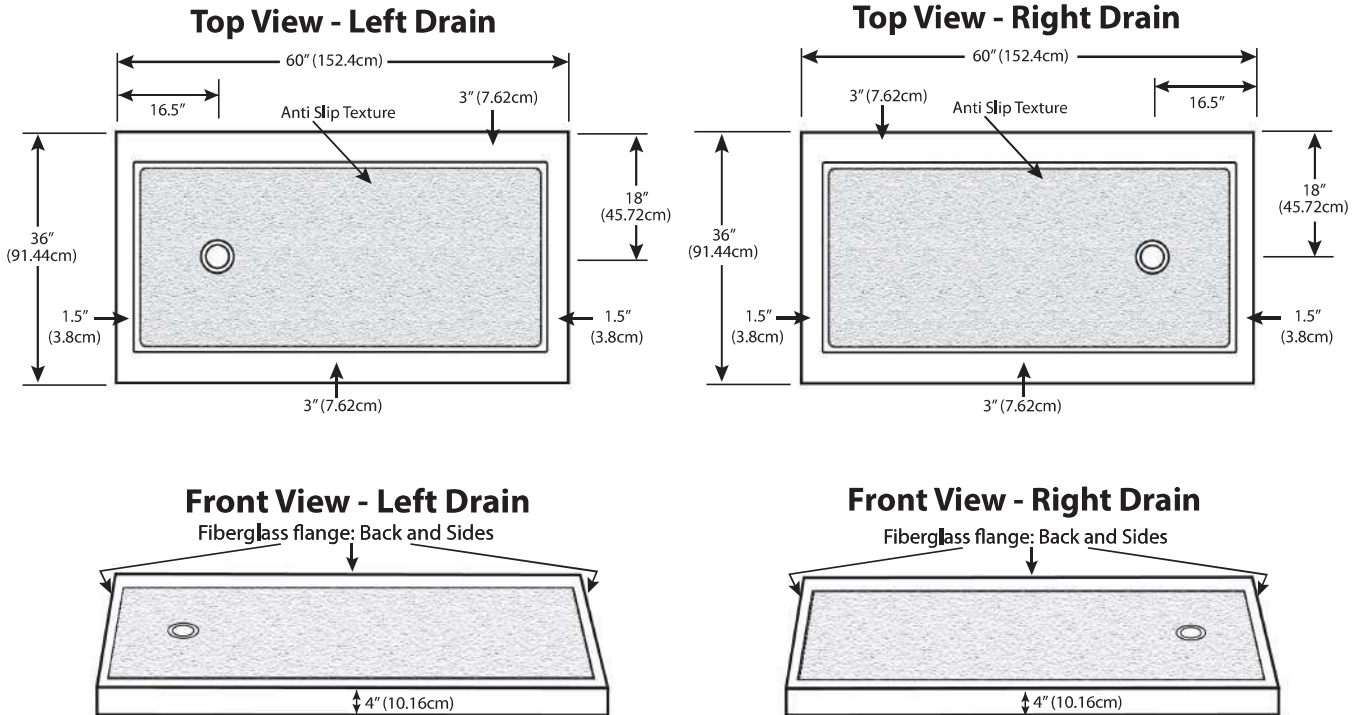
Cast Marble Solutions for Your Showers



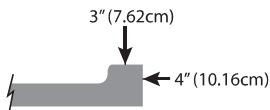
60" x 36" Shower Base with Offset RH or LH Drain SB60x36-16.5OD-xH-LC

Estimated Wt. 170 lbs (77kg) IMI LiteCast™

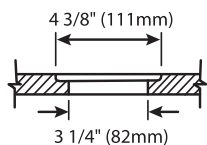
Technical Specifications



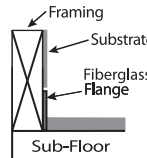
Side View of Curb



Drain Details: (U.S.)



Flange Details: (U.S.)



Standard Features:

- Available in Left Hand and Right Hand version
- Fiberglass Flange
- 3" (7.62cm) Wide thresholds on front
- Solid one-piece construction
- Pre-leveled, rests on subfloor
- Mold and mildew resistant
- Bacteria resistant
- "Grout-free" and non-porous
- Stain resistant and easy to clean
- Waterproof and leakproof

Suggested Drains:



Solvent Weld type fitting similar to Oatey Part No. 42097



Compression type "No-Caulk" fitting similar to Oatey Part No. 42099



Note: Base dimensions may vary +/- 1/8"

Our products comply with one or more of the following: IAPMO, ANSI, HUD, NAHB, NHQ

Typical CSI Codes: 22 42 23 (Div 22)

Revised: 2020.03.18

© 2020 Copyright IMI Intl. Marble Industries, Inc.

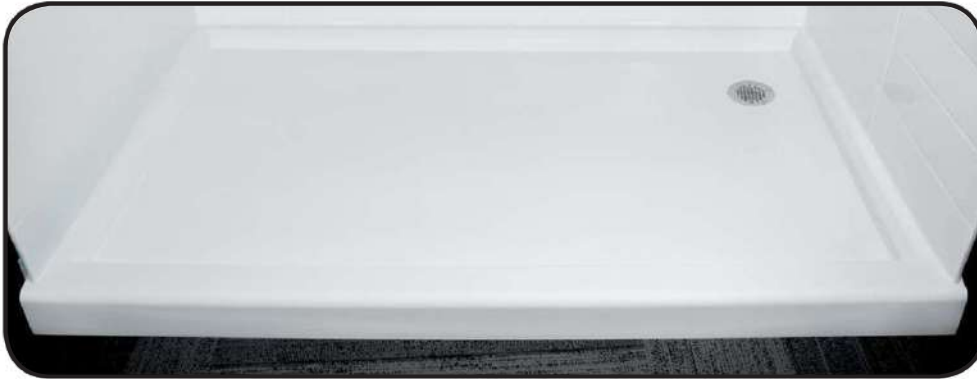




Cast Marble Solutions for Your Showers



60" x 36" Rear Corner Offset Drain Shower Base SB60x36-10RCOD-xH-LC



Standard Features:

- Solid one-piece construction
- Abrasion resistant gel coat surface
- Extremely Sanitary
- Mold or mildew resistant
- Textured non-slip finish
- Pre-leveled - rests on sub floor
- 10 year limited warranty against manufacturing defects

Standards and Ratings:

- ANSI Z124.1.2
- ASTM 1028-06 coefficient of friction test (minimum rating of .67)

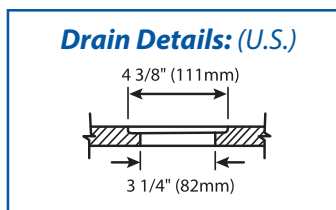
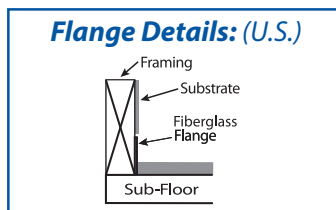
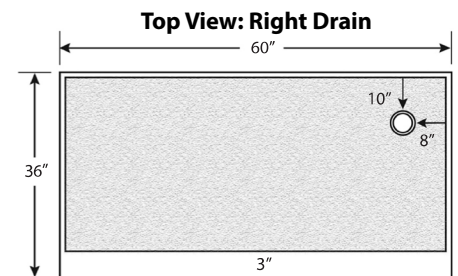
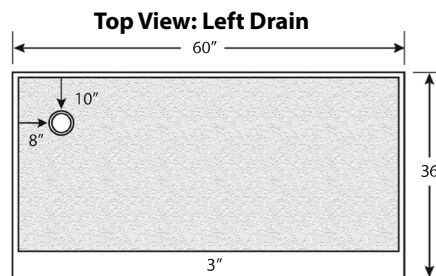
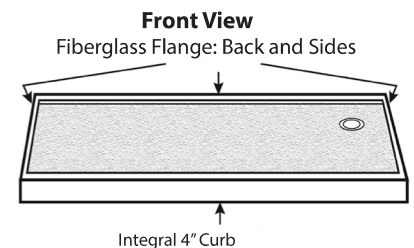
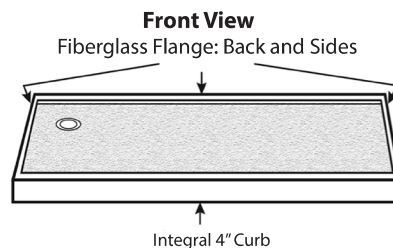
Suggested Drains:

- Solvent Weld type fitting similar to Oatey Part No. 42097
- Compression type "No-Caulk" fitting similar to Oatey Part No. 42099

Drain NOT included

Specifications:

- Size: 60" x 36"
- Drain Location: Corner - Right
- Curb: 3" X 4" Integral
- Flange: Fiberglass
- Weight: ~ 111 lbs.
- Available colors: Solid White SW-304



Typical CSI Codes: 22 42 23 (Div 22)

Note: Base dimensions may vary +/- 1/8"

Our products comply with one or more of the following: IAPMO, ANSI, HUD, NAHB, NHQ

Revised: 2020.03.18

© 2020 Copyright IMI Intl. Marble Industries, Inc.



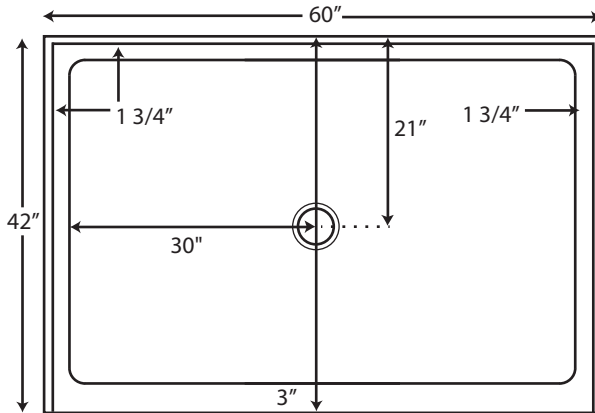


60" x 42" Shower Base with Center Drain

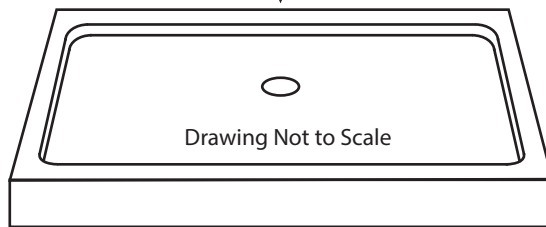
SB60x42-SSB-LC

Est. Weight: 190 lbs (84.37 kg) IMI LiteCast™

TECHNICAL SPECIFICATIONS



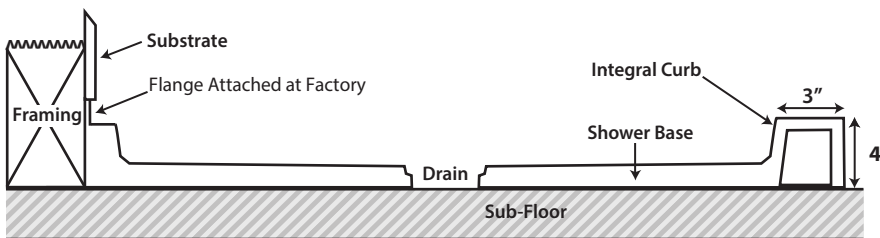
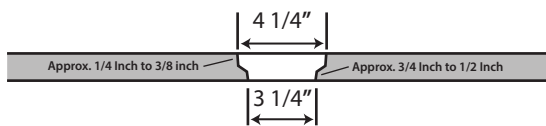
Fiberglass Flange Attached at Factory



Drawing Not to Scale

Integral 4" Curb

Drain Detail:



Drain not included.

Specifications:

- Size: 60" x 42"
- Drain: Center
- Drain Opening: 3 1/4" Hole Width
- Curb: Integral - 3" x 4" High
- Fiberglass Flange: Attached at Factory
- Solid One-Piece Construction
- Pre-Leveled, Rests on Subfloor
- Mold and Mildew Resistant
- Bacteria Resistant
- "Grout-Free" and Non-Porous
- Stain Resistant and Easy to Clean
- Water Proof and Leak Proof

Standards & Ratings:

ANSI Z124.1.2
- 2005 Tested by NAHB

ASTM 1028-96
- Coefficient of friction test
(minimum rating of .67)

Suggested Drains:

ANSI Z124.1.2
- 2005 Tested by NAHB

ASTM 1028-96
- Coefficient of friction test
(minimum rating of .67)

NOTE: Base dimensions may vary +/- 1/8"

Our products comply with one or more of the following: IAPMO, ANSI, HUD, NAHB, NHQ

Typical CSI Codes: 22 42 23 (Div 22)

Revised: 2020.03.18

© 2020 Copyright IMI Intl. Marble Industries, Inc.



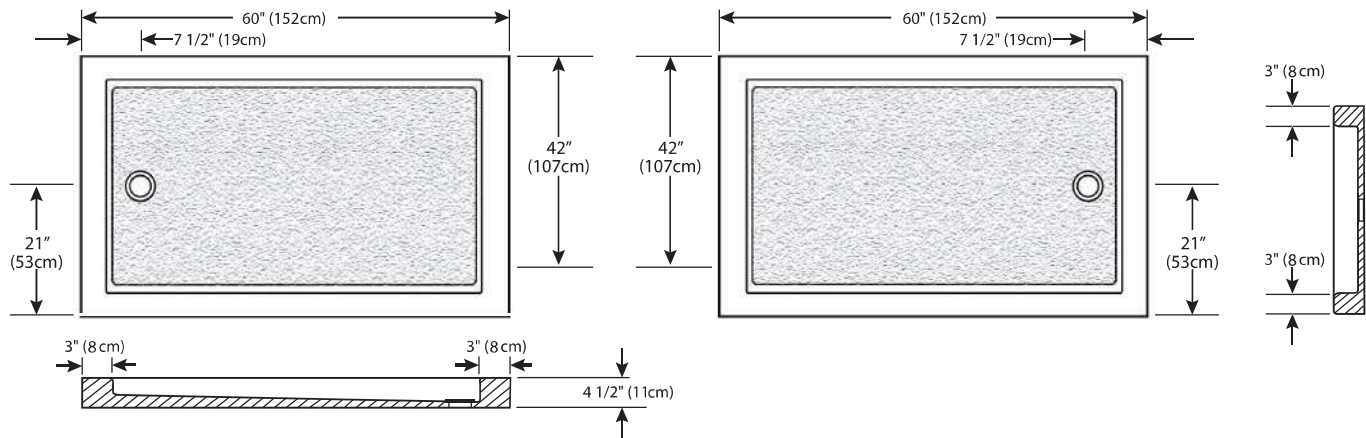


Cast Marble Solutions for Your Showers

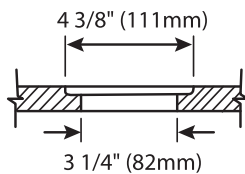


60" x 42" Shower Base with RH or LH Drain SB60x42-SSB-xH-LC

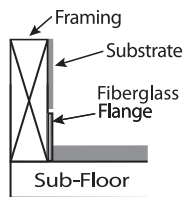
Est. Weight: 140 lbs (63.5 kg) IMI LiteCast™



Drain Details: (U.S.)



Flange Details: (U.S.)



Standard Features:

- Available in Left Hand and Right Hand version
- Designed for tub replacements
- 3 strips of fiberglass included for install
- 3" (8 cm) Wide thresholds on each side – back wall area can be trimmed to fit a 30" deep cavity
- Solid one-piece construction
- Pre-leveled, rests on subfloor
- Mold and mildew resistant
- Bacteria resistant
- "Grout-free" and non-porous
- Stain resistant and easy to clean
- Waterproof and leakproof

Suggested Drains:



Solvent Weld type fitting similar to Oatey Part No. 42097



Compression type "No-Caulk" fitting similar to Oatey Part No. 42099

Note: Base dimensions may vary +/- 1/8"

Our products comply with one or more of the following: IAPMO, ANSI, HUD, NAHB, NHQ

Typical CSI Codes: 22 42 23 (Div 22)

Revised: 2020.03.18

© 2020 Copyright IMI Intl. Marble Industries, Inc.

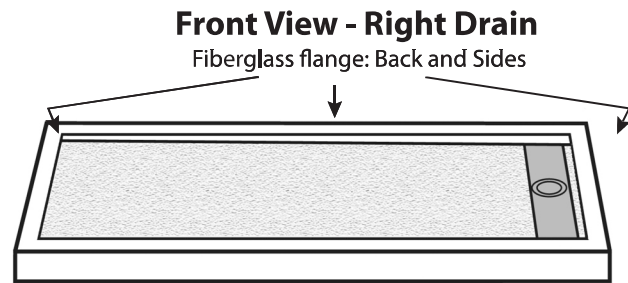
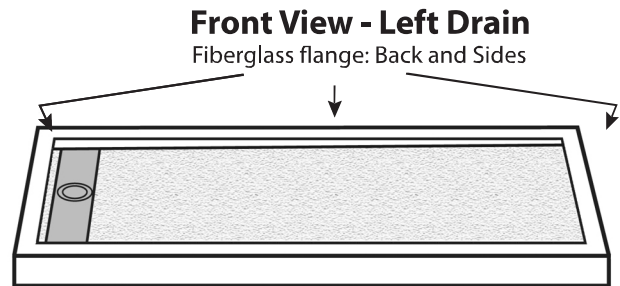
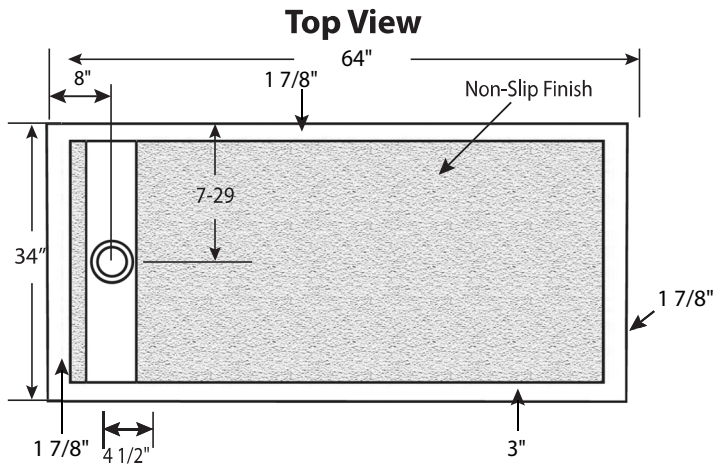




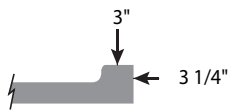
64" x 34"- 8" Trench Drain LH or RH Shower Base SB64x34-8TD-xH-LC

Est. Weight: 160 lbs (72 kg) IMI LiteCast™

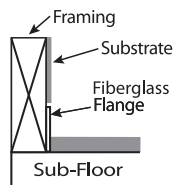
TECHNICAL SPECIFICATIONS



Side View of Curb



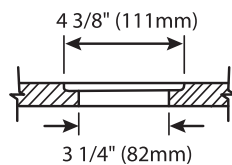
Flange Details: (U.S.)



Drain Cover



Drain Details: (U.S.)



Standard Features:

- Solid one-piece construction
- Pre-leveled - rests on subfloor
- Mold and mildew resistant
- Bacteria resistant
- Textured non-slip finish
- Abrasion resistant gelcoat surface
- Stainless steel trench drain cover

Specifications:

- Size: 64"x34"
- Drain Location: Center of drain measures 8" from side of pan, 7-29" from backwall
- Flange: Fiberglass
- Trench: 4 1/2" width

Suggested Drains:

- Solvent Weld type fitting similar to Oatey Part No. 42097
- Compression type "No-Caulk" fitting similar to Oatey Part No. 42099

Note: Base dimensions may vary +/- 1/8"

Our products comply with one or more of the following: IAPMO, ANSI, HUD, NAHB, NHQ

Typical CSI Codes: 22 42 23 (Div 22)

Born On: 2019.08.16 | Revised: 2020.03.18

© 2020 Copyright IMI Intl. Marble Industries, Inc.





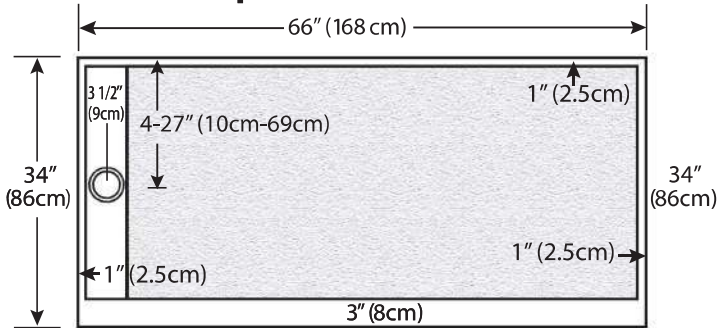
66" x 34"-3 1/2" Trench Drain LH or RH Shower Base

SB66x34-3.5TD-XH-LC

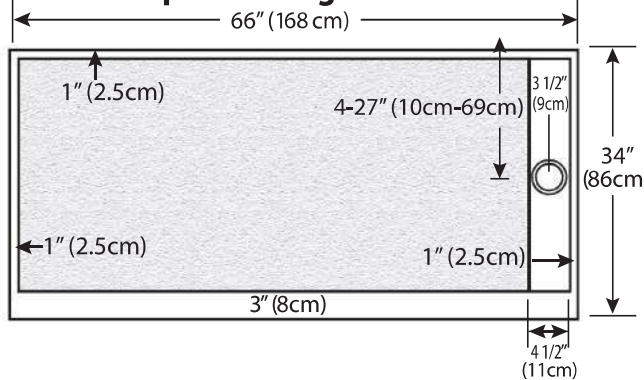
Est. Weight: ~180 lbs (81.6kg) IMI LiteCast™

TECHNICAL SPECIFICATIONS

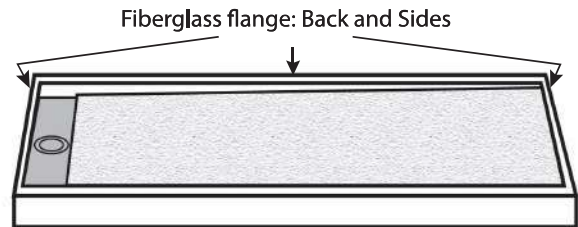
Top View - Left Drain



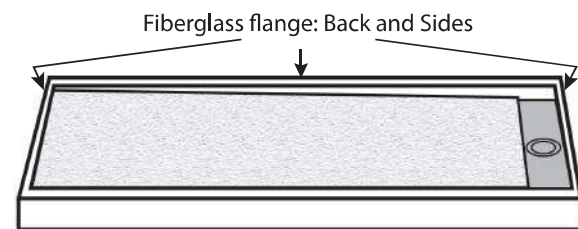
Top View - Right Drain



Front View - Left Drain



Front View - Right Drain



Standard Features:

- Solid one-piece construction
- Pre-leveled - rests on subfloor
- Mold and mildew resistant
- Bacteria resistant
- Textured non-slip finish
- Abrasion resistant gel coat surface
- Stainless steel trench drain cover

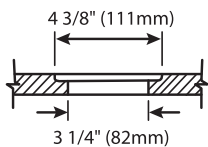
Specifications:

- Size: 66" x 34" Size
- Drain Location: Center of drain measures 3 1/2" from side of pan 4-27" from backwall
- Flange: Fiberglass
- Trench: 4 1/2" width

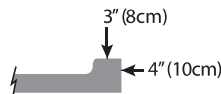
Suggested Drains:

- Solvent Weld type fitting similar to Oatey Part No. 42097
- Compression type "No-Caulk" fitting similar to Oatey Part No. 42099

Drain Details: (U.S.)



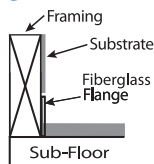
Side View of Curb



Drain Cover



Flange Details: (U.S.)



Note: Base dimensions may vary +/- 1/8"

Our products comply with one or more of the following: IAPMO, ANSI, HUD, NAHB, NHQ

Typical CSI Codes: 22 42 23 (Div 22)

Revised: 2020.03.18

© 2020 Copyright IMI Intl. Marble Industries, Inc.



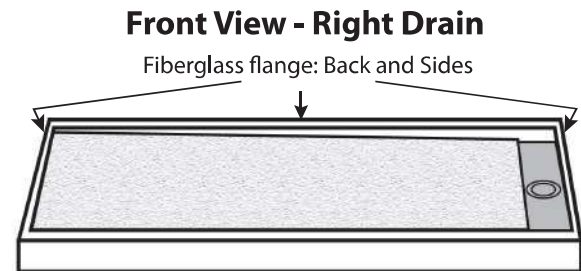
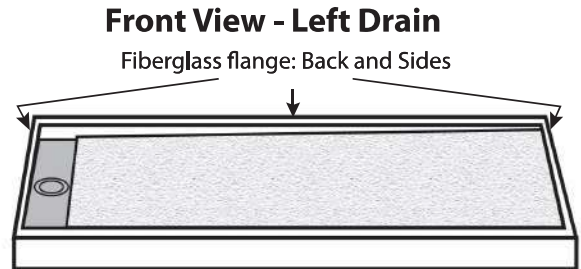
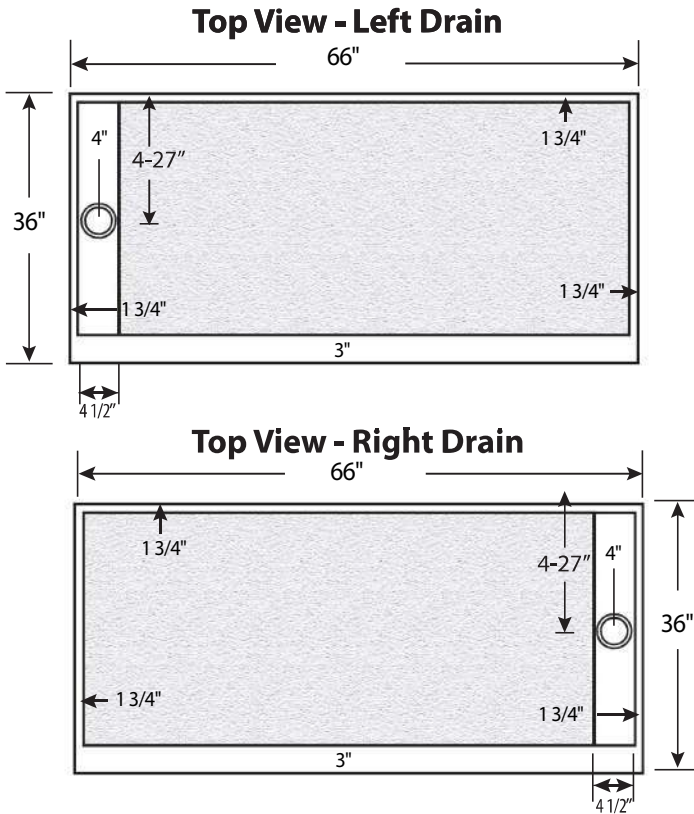


66" x 36"-4" Trench Drain LH or RH Shower Base

SB66x36-4TD-xH-LC

Est. Weight: ~180 lbs (81.6kg) IMI LiteCast™

TECHNICAL SPECIFICATIONS



Standard Features:

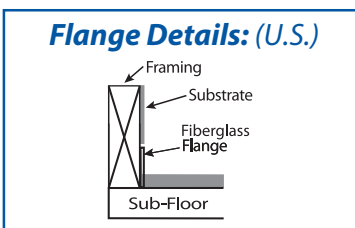
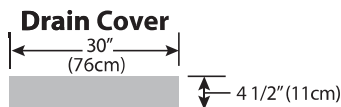
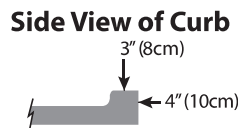
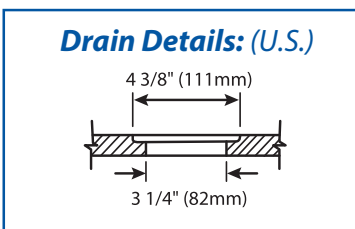
- Solid one-piece construction
- Pre-leveled - rests on subfloor
- Mold and mildew resistant
- Bacteria resistant
- Textured non-slip finish
- Abrasion resistant gel coat surface
- Stainless steel trench drain cover

Specifications:

- Size: 66"x36"
- Drain Location: Center of drain measures 4" from the side wall, 4-27" from backwall
- Flange: Fiberglass
- Trench: 4 1/2" width

Suggested Drains:

- Solvent Weld type fitting similar to Oatey Part No. 42097
- Compression type "No-Caulk" fitting similar to Oatey Part No. 42099



Note: Base dimensions may vary +/- 1/8"

Our products comply with one or more of the following: IAPMO, ANSI, HUD, NAHB, NHQ

Typical CSI Codes: 22 42 23 (Div 22)

Revised: 2020.03.18

© 2020 Copyright IMI Intl. Marble Industries, Inc.

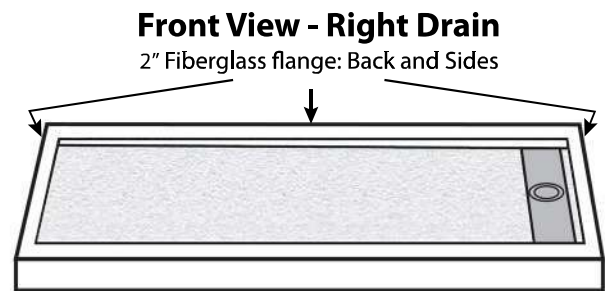
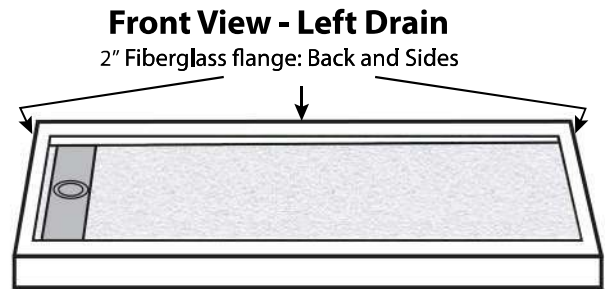
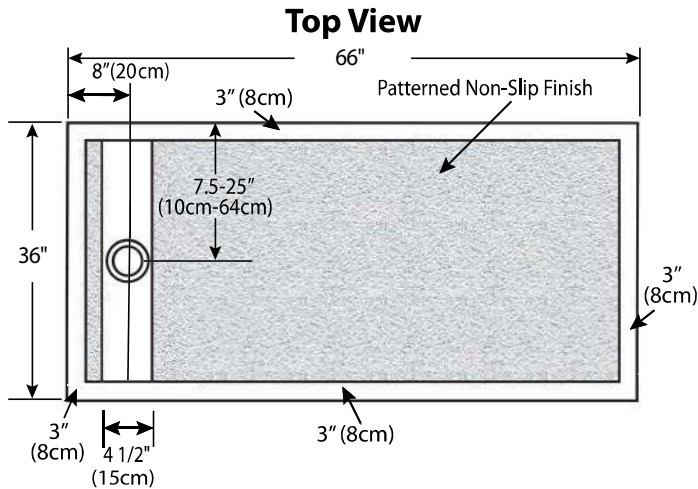




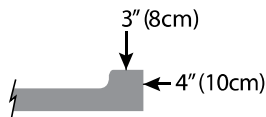
66" x 36"-8" Trench Drain LH or RH Shower Base

SB66x36-8TD-xH-LC

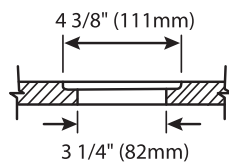
Est. Weight: 160 lbs (72 kg) **IMI LiteCast™**



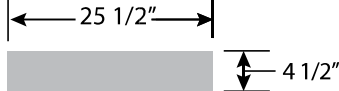
Side View of Curb



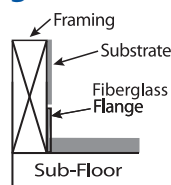
Drain Details: (U.S.)



Drain Cover



Flange Details: (U.S.)



Standard Features:

- Solid one-piece construction
- Pre-leveled - rests on subfloor
- Mold and mildew resistant
- Bacteria resistant
- Textured non-slip finish
- Abrasion resistant gelcoat surface
- Stainless steel trench drain cover

Suggested Drains:

- Solvent Weld type fitting similar to Oatey Part No. 42097
- Compression type "No-Caulk" fitting similar to Oatey Part No. 42099

Specifications:

- Drain Location: Center of drain measures 8" from side of pan
7.5-25" from backwall
- Flange: Fiberglass
- Trench: 4 1/2" width

Note: Base dimensions may vary +/- 1/8"

Our products comply with one or more of the following: IAPMO, ANSI, HUD, NAHB, NHQ

Typical CSI Codes: 22 42 23 (Div 22)

Revised: 2020.03.18

© 2020 Copyright IMI Intl. Marble Industries, Inc.





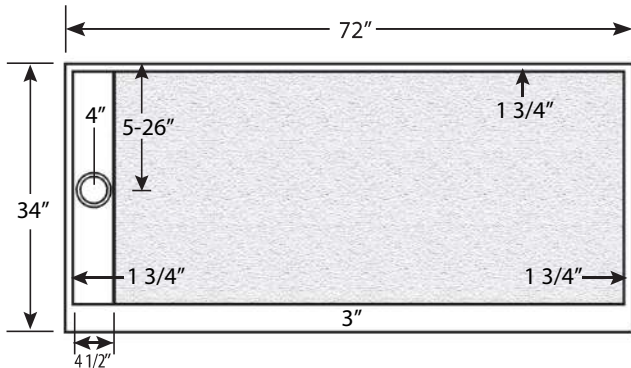
Cast Marble Solutions for Your Showers



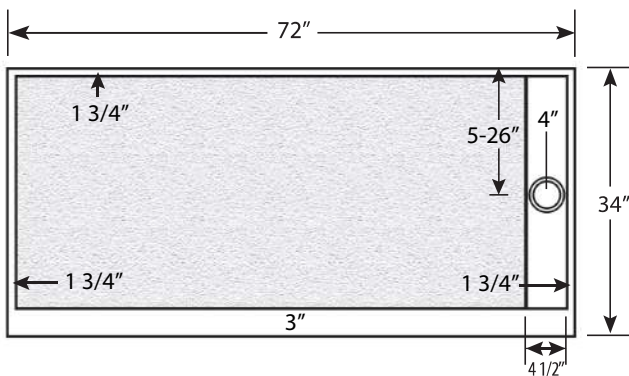
72" x 34" - 4" Trench Drain with RH or LH Shower Base SB72x34-4TD-xH-LC

Est. Weight: 180 lbs (81 kg) IMI LiteCast™

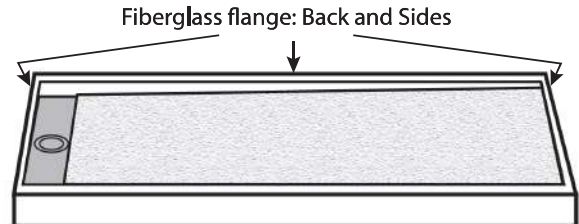
Top View - Left Drain



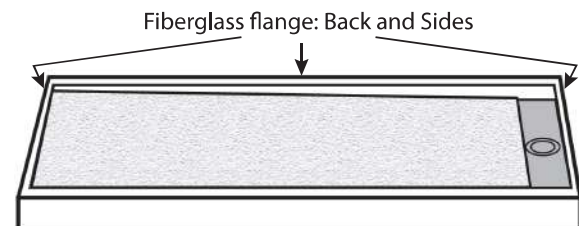
Top View - Right Drain



Front View - Left Drain



Front View - Right Drain



Standard Features:

- Solid one-piece construction
- Pre-leveled - rests on subfloor
- Mold and mildew resistant
- Bacteria resistant
- Textured non-slip finish
- Abrasion resistant gel coat surface
- Stainless steel trench drain cover

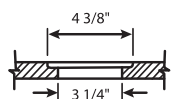
Specifications:

- Size: 72" x 34" Size
- Drain Location: 5-26" from back wall
- Flange: Fiberglass
- Trench: 4 1/2" width

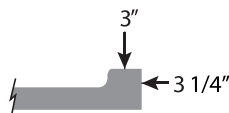
Suggested Drains:

- Solvent Weld type fitting similar to Oatey Part No. 42097
- Compression type "No-Caulk" fitting similar to Oatey Part No. 42099

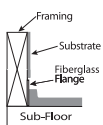
Drain Details: (U.S.)



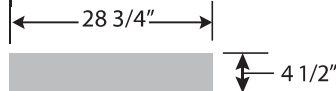
Side View of Curb



Flange Details: (U.S.)



Drain Cover



Note: Base dimensions may vary +/- 1/8"

Typical CSI Codes: 22 42 23 (Div 22)

Our products comply with one or more of the following: IAPMO, ANSI, HUD, NAHB, NHQ

Revised: 2020.03.18
© 2020 Copyright IMI Intl. Marble Industries, Inc.





62" x 31" Roll-In Shower Base

SB-RI-ADA-LC

For ADA Compliant Showers

Technical Specifications



Specifications:

- Description:** Solid One-piece Construction Shower Base
- Standard:** LiteCast
- Series:** ADA Compliant Roll-In Shower Base
- Color:** See Toilet and Bath Accessory Matrix for Color.
- Construction:** Cast Marble

Dimensions:

- Size:** 62" x 31"
- Curb:** None
- Drain Location:** Center
- Drain Opening:** 3 1/4"
- Flange:** Attached at Factory, Fiberglass
- Weight:** ~ 120 lbs.

STANDARD FEATURES:

1. Abrasion resistant gel coat surface
2. Extremely sanitary, sealed surface
3. Base will not mold or mildew
4. Base floor comes with a textured, non-slip finish
5. Base is pre-leveled in factory - rests on sub floor
6. 10-year limited warranty against manufacturing defects
7. Seamless

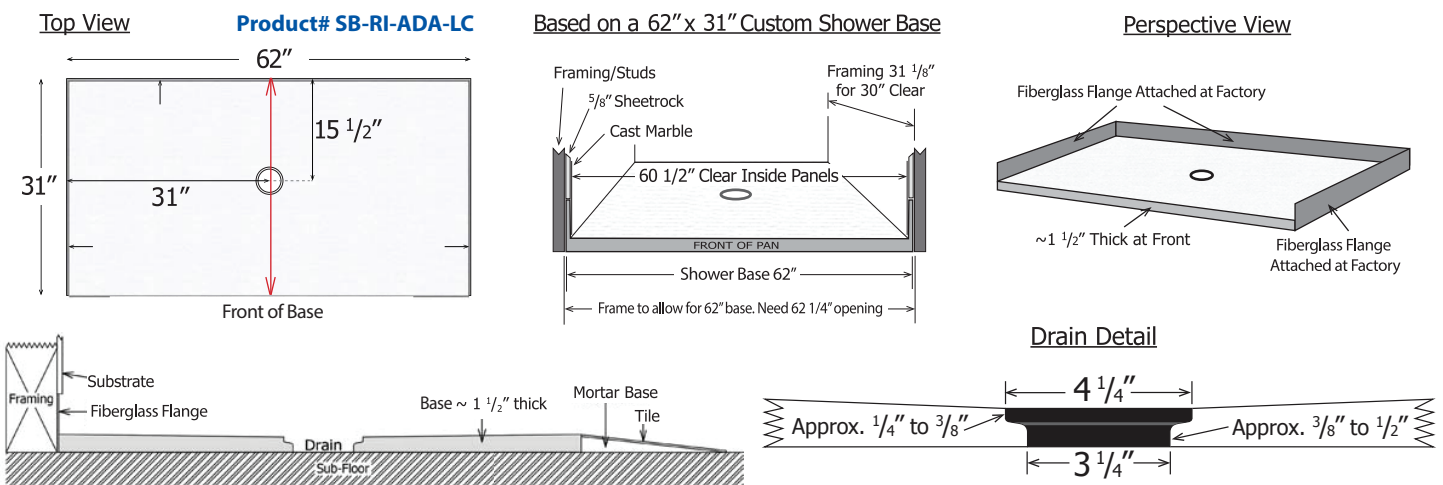
SUGGESTED DRAINS:

- Oatley part number: #42150 Brass
- Kohler model: #K9132 Stainless Steel

STANDARDS & RATINGS:

- ANSI Z124.1.2 - 2005 tested by NAHB
- ASTM 1028-96 coefficient of friction test (minimum rating of 0.67)

Notes: Drain is not included. Base dimensions vary +/- 1/8"



Typical CSI Codes: 22 42 23 (Div 22)

Our products comply with one or more of the following: IAPMO, ANSI, HUD, NAHB, NHQ

Revised: 2020.03.18
© 2020 Copyright IMI Intl. Marble Industries, Inc.





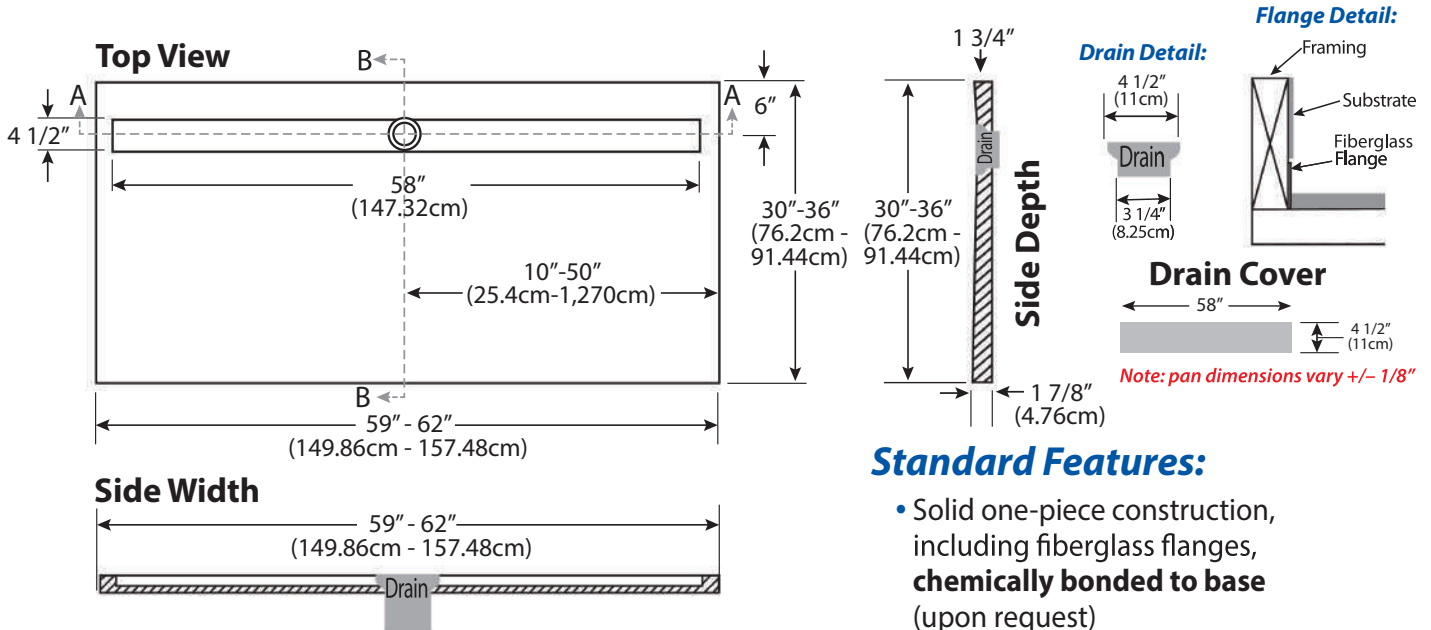
Cast Marble Solutions for Your Showers



62" x 36" ADA Roll-In w/6" Trench Drain

SB62x36-RI-6TD-LC

Est. Weight: 115 lbs (52.2kg) IMI LiteCast™



Standard Features:

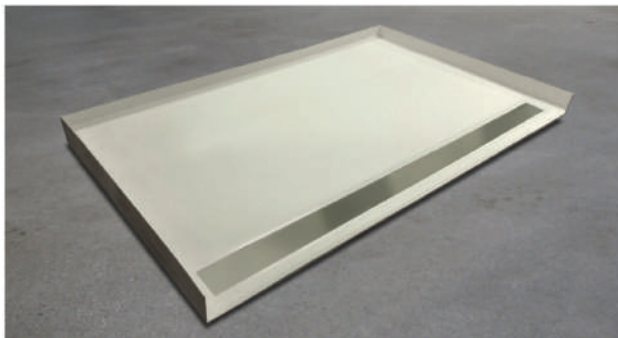
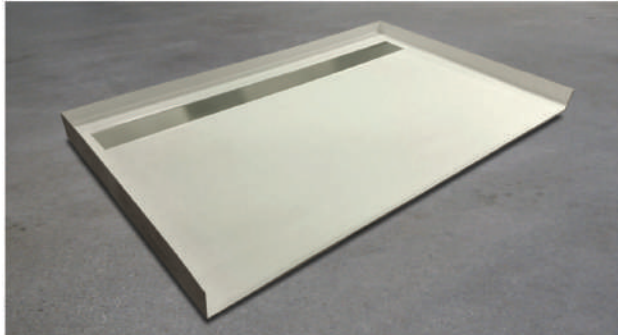
- Solid one-piece construction, including fiberglass flanges, **chemically bonded to base** (upon request)
- Pre-sloped to the drain
- Rests on sub-floor
- Mold, mildew and bacteria resistant
- "Grout-free" and non-porous
- Stain resistant and easy to clean
- Abrasion resistant gel coat surface
- Waterproof and leak-proof

Specifications:

- Size: 59"-62" x 30"-36" Size
- Drain Location: 6" from Back Wall
10"-50" from side wall
- Flange: Fiberglass
- Trench: 4 1/2" width

Suggested Drains:

- Solvent Weld type fitting similar to Oatey Part No. 42097
- Compression type "No-Caulk" fitting similar to Oatey Part No. 42099



Also available: 8" x 72 x 1 1/2" Access Ramp (trim to fit)

Our products comply with one or more of the following: IAPMO, ANSI, HUD, NAHB, NHQ

Typical CSI Codes: 22 42 23 (Div 22)

Revised: 2020.03.18

© 2020 Copyright IMI Intl. Marble Industries, Inc.



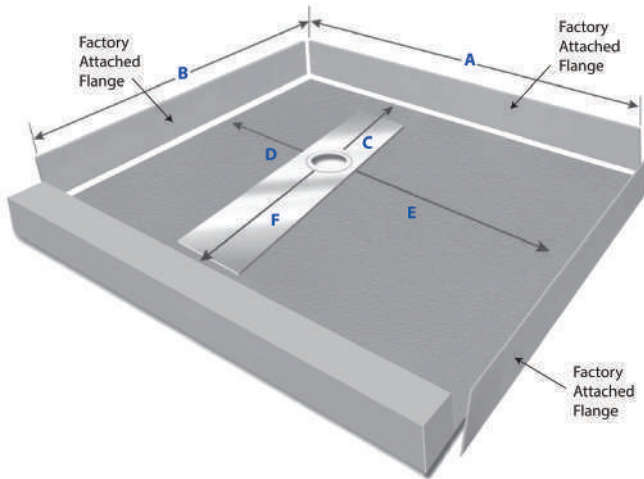


Adjustable Shower Base w/ LH or RH Trench Drain

SB66x34-ADJ-CUSTOM-TD

IMI LiteCast™

Customized to your individual specifications with fiberglass waterdam.
Curb attached by plant or in field.



Standard Features:

- Solid one-piece construction, including fiberglass flanges, **chemically bonded to base** (upon request)
- Pre-sloped to the drain
- Rests on sub-floor
- Mold, mildew and bacteria resistant
- "Grout-free" and non-porous
- Stain resistant and easy to clean
- Abrasion resistant gel coat surface
- Waterproof and leak-proof

Dimensions:

- A** = 66" max.
- B** = 34" max. (w/a curb 36")

Drain Location:

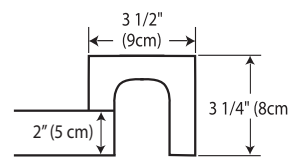
- C** = 26.5" max. / 8" min.
- D** = 12" max. / 3.5" min.
- E** = 54" max. / 3.5" min.
- F** = 26.5" max. / 8" min.

Suggested Drains:

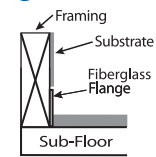
- Solvent Weld type fitting fitting similar to Oatey Part No. 42097
- Compression type "No-Caulk" fitting similar to Oatey Part No. 42099



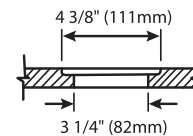
Curb Cross-Section View:



Flange Details: (U.S.)



Drain Details: (U.S.)



NOTE: Base dimensions may vary +/- 1/8"

* Also available in IMI LiteCast™ and IMI ProCast™

Our products comply with one or more of the following: IAPMO, ANSI, HUD, NAHB, NHQ

Typical CSI Codes: 22 42 23 (Div 22)

Revised: 2020.03.18

© 2020 Copyright IMI Intl. Marble Industries, Inc.



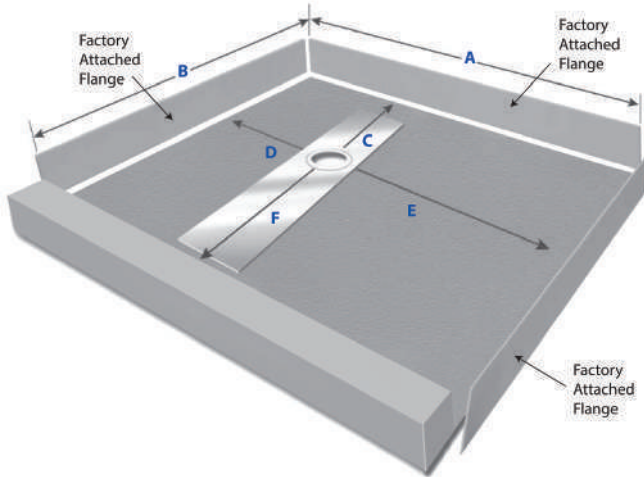


Adjustable Shower Base w/ LH or RH Trench Drain

SB84x36-ADJ-CUSTOM-TD

IMI LiteCast™

Customized to your individual specifications with fiberglass waterdam.
Curb attached by plant or in field.



Standard Features:

- Solid one-piece construction, including fiberglass flanges, **chemically bonded to base** (upon request)
- Pre-sloped to the drain
- Rests on sub-floor
- Mold, mildew and bacteria resistant
- "Grout-free" and non-porous
- Stain resistant and easy to clean
- Abrasion resistant gel coat surface
- Waterproof and leak-proof

Dimensions:

- A** = 84" max.
- B** = 36" max. (w/a curb 38")

Drain Location:

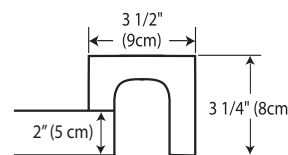
- C** = 26.5" max. / 8" min.
- D** = 12" max. / 3.5" min.
- E** = 54" max. / 3.5" min.
- F** = 26.5" max. / 8" min.

Suggested Drains:

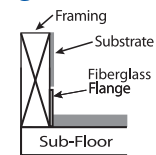
- Solvent Weld type fitting fitting similar to Oatey Part No. 42097
- Compression type "No-Caulk" fitting similar to Oatey Part No. 42099



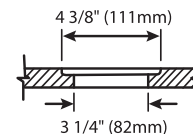
Curb Cross-Section View:



Flange Details: (U.S.)



Drain Details: (U.S.)



NOTE: Base dimensions may vary +/- 1/8"

* Also available in IMI LiteCast™ and IMI ProCast™

Our products comply with one or more of the following: IAPMO, ANSI, HUD, NAHB, NHQ

Typical CSI Codes: 22 42 23 (Div 22)

Revised: 2020.03.18

© 2020 Copyright IMI Intl. Marble Industries, Inc.



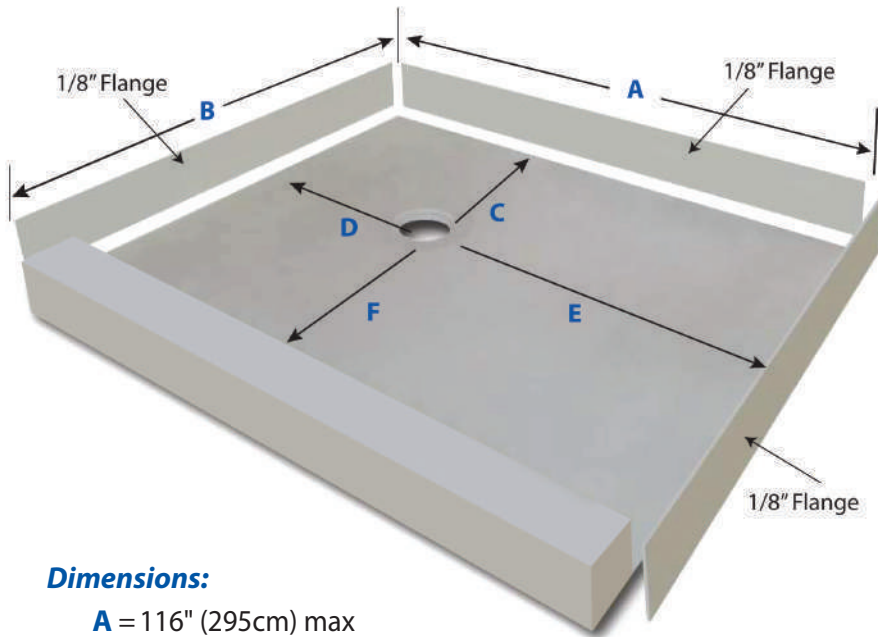


Custom Shower Base with Curb

SB-CUSTOM-LC

IMI LiteCast™

Customized to your individual specifications with built in FRONT threshold and fiberglass waterdam.



Standard Features:

- Solid one-piece construction, including fiberglass flanges, **chemically bonded to base** (upon request)
- Pre-sloped to the drain
- Rests on sub-floor
- Mold, mildew and bacteria resistant
- "Grout-free" and non-porous
- Stain resistant and easy to clean
- Abrasion resistant gel coat surface
- Waterproof and leak-proof

Dimensions:

- A = 116" (295cm) max
- B = 88" (224cm) max

Drain Location:

- C = 44" (112cm) max, 8" (20cm) min
- D = 58" (147cm) max, 8" (20cm) min
- E = 58" (147cm) max, 8" (20cm) min
- F = 44" (112cm) max, 8" (20cm) min

Suggested Drains:

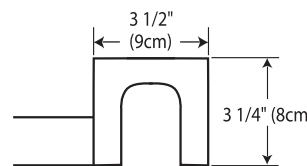


Solvent Weld type fitting similar to Oatey Part No. 42097

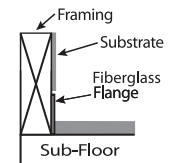


Compression type "No-Caulk" fitting similar to Oatey Part No. 42099

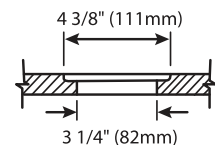
Curb Cross-Section View:



Flange Details: (U.S.)



Drain Details: (U.S.)



Note: Base dimensions vary +/- 1/8"

* Also available in IMI ProCast™

Our products comply with one or more of the following: IAPMO, ANSI, HUD, NAHB, NHQ

Typical CSI Codes: 22 42 23 (Div 22)

Revised: 2020.03.18

© 2020 Copyright IMI Intl. Marble Industries, Inc.



SECTION 22 42 23

CAST MARBLE SOLUTIONS FOR SHOWER BASES

**** NOTE TO SPECIFIER ****

This section is based on the products of Intl. Marble Industries, Inc in Woodstock, GA.

**Intl. Marble Industries, Inc.
304 Bell Park Drive, Woodstock, GA 30188
Phone: 770.928.2252, Fax: 678.391.3895
www.IMItoday.com**

Intl. Marble Industries, Inc. is a leading manufacturer and designer of cast marble solutions of Tub Surrounds, Shower Surrounds, Shower Bases, Vanity Tops, Window Sills and Accessories. We manufacture for the Hospitality, Resort, Multi-Family, Student Housing, Senior Living and Military Housing industries.

Part 1 GENERAL

1.01 SUMMARY

A. Section Includes

1. Cast marble shower bases and shower pans

B. Related Sections

**** NOTE TO SPECIFIER ****

Delete any sections below not relevant to this project; add others as required.

1. Section 06 10 00 (06100) - Rough Carpentry
2. Section 06 20 00 (06200) – Finish Carpentry
3. Section 06 61 13 (66210) – Cast Marble Tub and Shower Panel Systems
4. Section 12 30 33 (06400) – Architectural Woodworks
5. Section 12 36 61.13 (06610) – Cast Marble Countertops and window sills
6. Section 22 42 23 (Div 15) – Cast Marble Shower Receptors
7. Section 22 00 00 (Div 15) - Plumbing

1.02 REFERENCES

**** NOTE TO SPECIFIER ****

Delete references from the list below that are not actually required by the text of the edited section.

- A. ANSI Z-121.2 - American National Standard for Plastic Fabrications; American National Standards Institute
- B. ASTM E 84 - Standard Test Method for Surface Burning Characteristics of Building Materials
- C. NFPA 101 - Code for Safety to Life from Fire in Buildings and Structures; National Fire Protection Association: 2000

1.03 SUBMITTALS

A. Submit under provisions of Section 01 33 00.

B. Product Data:

1. Manufacturer's printed product data indicating compliance with specified requirements.
2. Manufacturer's cleaning and maintenance data.

C. Shop Drawings:

1. Submit plans, elevations, and detail sections. Indicate overall dimensions, material thickness, location and size of cutouts, anchorage provisions and attachment methods. Indicate coordination requirements for adjacent and interfacing work.

**** NOTE TO SPECIFIER ** Delete selection samples if colors have already been selected.**

- D. Selection Samples: For each product specified, provide color chips or booklet representing manufacturer's full range of available colors and patterns.
- E. Verification Samples: For each finish product specified, two samples, minimum size 6x4 inches (150x100 mm), represent actual product, color, and patterns.

1.04 QUALITY ASSURANCE

- A. Manufacturer Qualifications: Member of International Cast Polymer Alliance (ICPA), with not less than five years of experience in manufacturing products similar to those required for this project.
- B. Installer Qualifications: Not less than five installations of comparable scope within the past three years.
 - 1. Provide list of contacts for recently completed projects.
 - 2. Architect may inspect installations and reject proposed installer on the basis of references or quality of work.

**** NOTE TO SPECIFIER ** Include a mock-up if the project size and/or quality warrant taking such a precaution. The following is one example of how a mock-up on a large project might be specified. When deciding on the extent of the mock-up, consider all the major different types of work on the project.**

- C. Mock-Up: Provide a mock-up for evaluation of surface preparation techniques, application workmanship, and overall appearance of installation.
 - 1. Install complete set of products in area designated by Architect.
 - 2. Do not proceed with remaining work until workmanship, color, and finish have been approved by Architect.
 - 3. Approved mock-up may become part of the work.

1.05 DELIVERY, STORAGE, AND HANDLING

- A. Packing and Shipping: Pack countertops, tub and shower surrounds, and other flat products in wooden crates to minimize shipping damage. Palletize other components.
- B. Check for shipping damage during unloading at site and notify manufacturer immediately of any obvious damage.
- C. Store products under shelter, off the ground, and protected from moisture. Materials must be at room temperature prior to installation. Handle products to prevent physical damage. Protect surfaces from staining, scratching, and other damage during handling and installation.

1.06 PROJECT CONDITIONS

- A. Field Measurements: Verify shop drawings with field measurements before fabrication.
- B. Coordination: Coordinate construction activities of this section with construction activities detailed in related sections.

1.07 WARRANTY

- A. See section 01 78 00 – Closeout Submittals for additional warranty details.
- B. Manufacturer's five-year limited warranty on defective materials.

PART 2 PRODUCTS

2.01 CAST MARBLE MATERIAL

A. MANUFACTURERS:

- 1. Preferred Manufacturer: Intl Marble Industries, Inc 304 Bell Park Drive, Woodstock GA 30188 – Tel 770 928 2252
Email: Sales@IMIToday.com

**** NOTE TO SPECIFIER ** Delete one of the two paragraphs below.****

- 2. Substitutions: Not permitted.
- 2. Requests for substitution in accordance with section 01 60 00.

B. MATERIALS

- 1. Material: IMISolidCast™ Manufacturer's standard cast marble material.

C. SHOWER BASES AND SHOWER PANS

- 1. Material: Manufacturer's IMISolidCast™ standard cast marble material.

**** NOTE TO SPECIFIER ** Delete (2) of the following (3) Paragraphs**

- 2. Configuration: One piece shower receptor with integral curbs.
- 2. Custom Shower Base or Pan with integral front curb.
- 2. Custom Shower Base or Pan with separate front curb.

**** NOTE TO SPECIFIER ** Delete one of the two paragraphs below.****

- C. Color and Pattern: As selected from manufacturer's standards. See Website or call for project specific spec sheets.
- C. Color and Pattern: _____.

2.02 FABRICATION

- A. Use molds materials, methods, and procedures that will result in proper texture and finish.
- B. Fabricate to required profiles and dimensions. Wherever possible, fabricate each unit as a continuous piece, without joints, while minimizing on-site cutting or other modifications.
- C. Hand sand all edges smooth; provide uniform finish on all exposed surfaces.

PART 3 EXECUTION

3.01 EXAMINATION

- A. Do not begin installation until substrates have been properly prepared.
- B. If substrate preparation is the responsibility of another installer, notify Architect of unsatisfactory preparation before proceeding.

3.02 INSTALLATION

- A. General: Install in accordance with manufacturer's instructions and approved shop drawings. Install components to be plumb, level, and rigid. Neatly scribe to adjoining surfaces, and field trim as required for snug fit. Replace any component that is cracked, chipped, broken, or otherwise defective.
- B. Review manufacturer's installation instructions to ensure proper installation is achieved.

3.03 PROTECTION

- A. Protect installed products until completion of project.
- B. Touch-up, repair or replace damaged components before Substantial Completion.

END OF SECTION



Mission Statement:

We create a positive customer experience by embracing our commitments to technical service and support, and providing innovative bathroom solutions.

Technical Data - Cast Marble Products

IAPMO/ANSI Z124.1.2-2012

<i>Test</i>	<i>Section</i>	<i>Result</i>
ANSI Z124.1.2-2012	Surface Test	No cracks, chips, or blisters were found
ANSI Z124.1.2-2012	Subsurface Test	No irregularities
ANSI Z124.1.2-2012	Point Impact Loads	No cracks, chips, or voids were found
ANSI Z124.1.2-2012	Colorfastness	No significant color change took place
ANSI Z124.1.2-2012	Stain Resistance	No stains were found
ANSI Z124.1.2-2012	Wear and Cleanability	Average percent loss of white-light reflectance was less than 1%
ANSI Z124.1.2-2012	Cigarette Test	No progressive flow or ignition took place
ANSI Z124.1.2-2012	Chemical Resistance Test	The original finish was easily restored
ANSI Z124.1.2-2012	Ignition Test	Material ceased to burn within 30 seconds after removal of the burner
ANSI Z124.1.2-2012	Thermal Shock Resistance	No cracks, crazing, or blistering were found

Typical CSI Codes: 06 61 13 (Div 06), 22 42 23 (Div 22), 10 28 16 (Div 10), and 10 28 19 (Div 10)

Revised: 2019.01.02
© 2019 Copyright IMI International Marble Industries, Inc.