

# SB-RI-ADA-SC

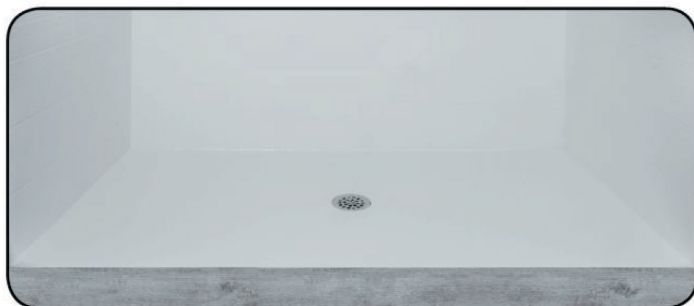
inches

## 62 X 31 SOLID SURFACE ROLL-IN SHOWER BASE

IMI SOLIDCAST™

Exterior Dimensions: 62W x 31D

Note: Base dimensions may vary +/- 1/8"



### FEATURES

- Solid one-piece construction
- Integral flange
- Pre-leveled, rests on subfloor
- Solid surface construction, contains minimum 60% solid particle aggregate aluminum hydroxide
- 40% acrylic modified polyester resin

### STANDARDS AND RATINGS

- ANSI Z124.1.2 - 2005 tested by NAHB
- ASTM 1028-96 coefficient of friction test (minimum rating of 0.67)
- Slip-resistance: SCoF = 0.6+, wet; DCoF = 0.42+
- Breaking strength: 250 lbs. minimum

Code compliant when fully equipped and installed according to guidelines.

\*See terms and conditions for details.

Material to be stacked on pallets.

#### COLOR & TRIM OPTIONS

Standard Color	Code
White	SW

Additional custom colors available.



Solid Surface Solutions

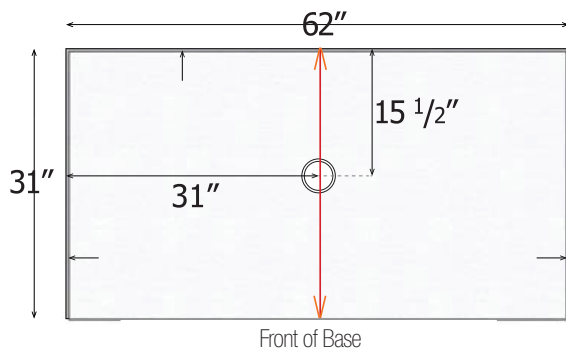


# SB-RI-ADA-SC

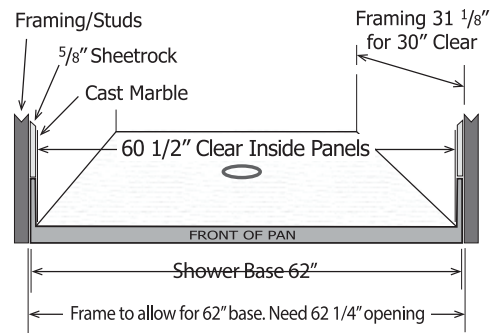
62 X 31 SOLID SURFACE ROLL-IN SHOWER BASE  
IMI SOLIDCAST™

Note: Base dimensions may vary +/- 1/8"

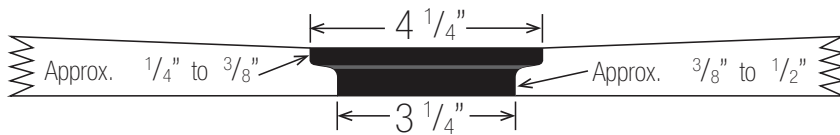
### Top View



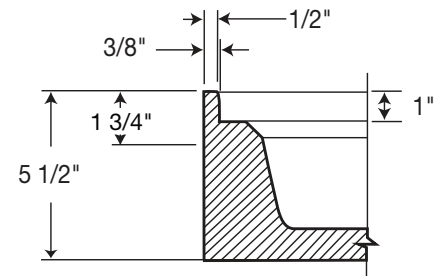
### Based on a 62" x 31" Custom Shower Base



### Drain Detail



### Flange Details: (U.S.)



**FEATURES** Dimensional Tolerance  $\pm 1/4"$ . Dimensions needed for site preparation should be measured from the unit. American Bath Group assumes no responsibility for preparatory work.

Type and Model #	Material	Shower Base	Pieces
Shower Base #SB-RI-ADA-SC	Cast Solid Surface	Anti-Slip/Textured Finish	1

### DIMENSIONS

Specifications	inches
Shower Base Depth:	31
Shower Base Width:	62
Threshold Height:	1 1/2 - 1 1/4 - 1 1/2
Threshold Width:	3

### SUGGESTED DRAINS

Part Number
Oatley part number: #42150 Brass
Kohler model: #K9132 Stainless Steel